

Cable Spider Symphony A0_0 for DOMINO Symphony Cable Specification

January 5, 2007

WARNING

EURESYS S.A. shall retain all rights, title and interest in the hardware or the software, documentation and trademarks of EURESYS S.A.

All the names of companies and products mentioned in the documentation may be the trademarks of their respective owners.

The licensing, use, leasing, loaning, translation, reproduction, copying or modification of the hardware or the software, marks or documentation of EURESYS S.A. contained in this documentation, is not allowed without prior notice.

EURESYS S.A. may modify the product specifications or change the information given in this documentation at any time, in its discretion, and without prior notice.

EURESYS S.A. shall not be liable for any loss of or damage to revenues, profits, goodwill, data, information systems or other special, incidental, indirect, consequential or punitive damages of any kind arising in connection with the use of the hardware or the software of EURESYS S.A. or resulting of omissions or errors in this documentation



Contents

1. CABLE REFERENCE.....	3
1.1 Introduction.....	3
1.2 Reference.....	3
1.3 Overview.....	4
2. CABLE SPECIFICATION.....	5
2.1 Cable Layout.....	5
2.2 Bill of Material.....	8
3. HISTORY.....	9

1. CABLE REFERENCE

1.1 Introduction

This document specifies a RoHS cable assembly to use with a Domino Symphony board.

On Domino Symphony board, all cameras connections are available on a high-density 44-pin sub-D connector.

For each camera, the camera connector provides:

- 1 pair for analog video input (xV+, xV-)
- 5 camera control lines (xCCn)
- 1 pair for +12V camera power supply.

Camera are labeled x = A, B, C, D.

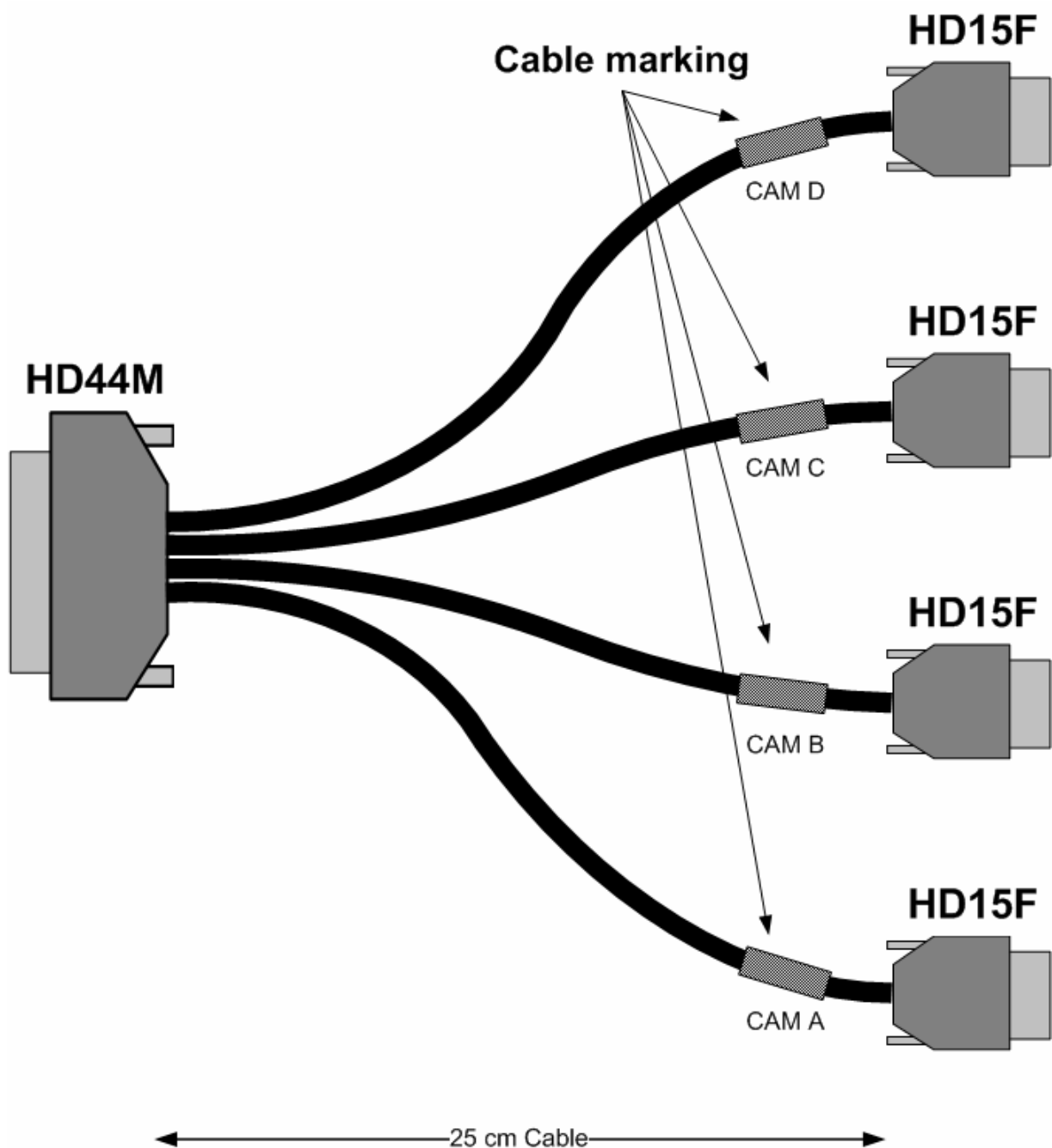
Camera control lines are labeled n = 1, 2, 3, 4, 5.

The cable defined in this document eases the integration of the board in a complete system.

1.2 Reference

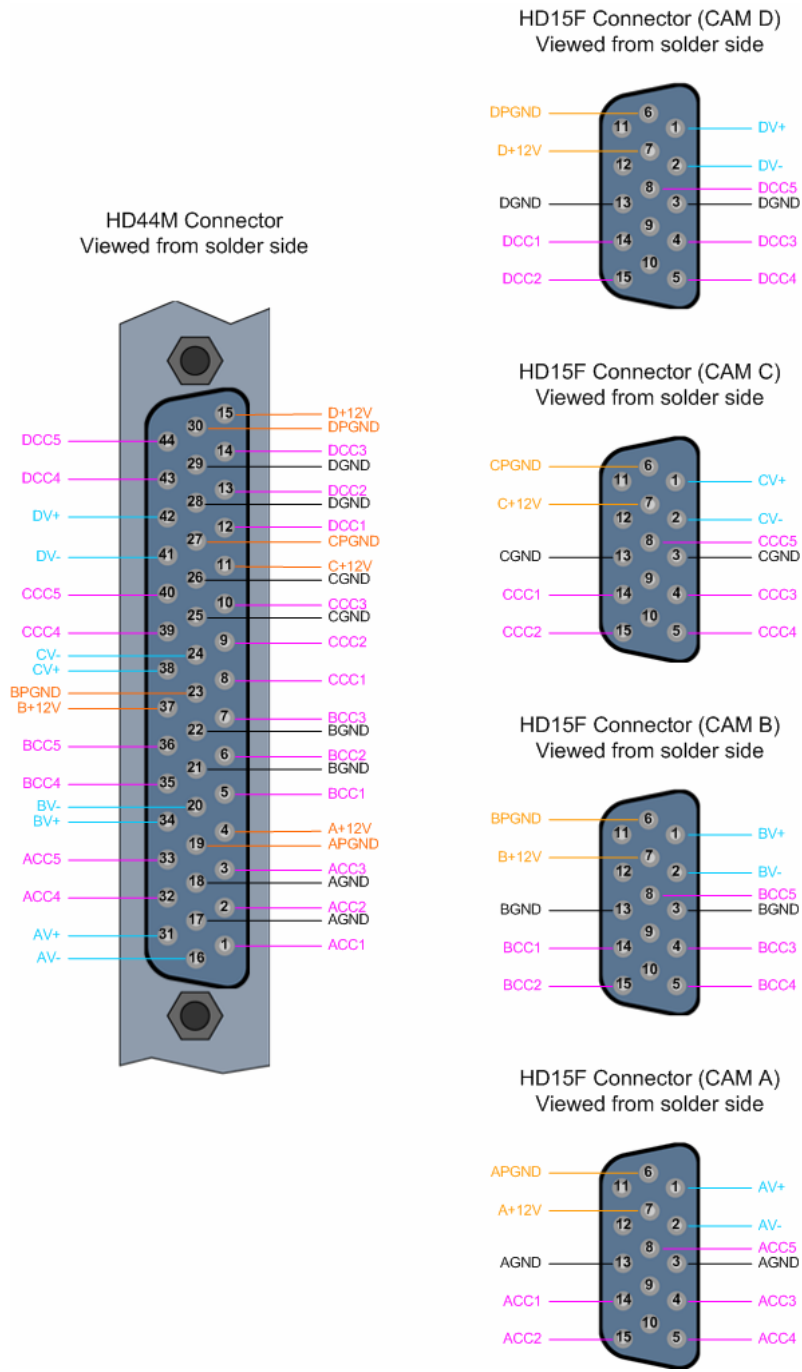
	Assembly references
Assembly name	Cable Spider Symphony
Assembly type	Cable
Assembly part number	PLO xxxx
Assembly design revision	A0_0

1.3 Overview



2. CABLE SPECIFICATION

2.1 Cable Layout



Signal	HD44M pin #	HD15F pin #	Wire color
CAM D			
DV+	42	1	Coax 1 Inner / Red
DV-	41	2	Coax 1 Outer / Red
DCC1	12	14	Coax 2 Inner / Green
DGND	28	13	Coax 2 Outer / Green
DCC3	14	4	Coax 3 Inner / Blue
DGND	29	3	Coax 3 Outer / Blue
DCC5	44	8	Coax 4 Inner / Black
DGND	29	3	Coax 4 Inner / Black
DCC2	13	15	Wire 1 / Blue
DCC4	43	5	Wire 2 / Green
D+12V	15	7	Wire3 / Red
DPGND	30	6	Wire 4 / Black
Shield	Shell clamp	Shell clamp	Shield
CAM C			
CV+	38	1	Coax 1 Inner / Red
CV-	24	2	Coax 1 Outer / Red
CCC1	8	14	Coax 2 Inner / Green
CGND	25	13	Coax 2 Outer / Green
CCC3	10	4	Coax 3 Inner / Blue
CGND	26	3	Coax 3 Outer / Blue
CCC5	40	8	Coax 4 Inner / Black
CGND	26	3	Coax 4 Inner / Black
CCC2	9	15	Wire 1 / Blue
CCC4	39	5	Wire 2 / Green
C+12V	11	7	Wire3 / Red
CPGND	27	6	Wire 4 / Black
Shield	Shell clamp	Shell clamp	Shield

Signal	HD44M pin #	HD15F pin #	Wire color
CAM B			
BV+	34	1	Coax 1 Inner / Red
BV-	20	2	Coax 1 Outer / Red
BCC1	5	14	Coax 2 Inner / Green
BGND	21	13	Coax 2 Outer / Green
BCC3	7	4	Coax 3 Inner / Blue
BGND	22	3	Coax 3 Outer / Blue
BCC5	36	8	Coax 4 Inner / Black
BGND	22	3	Coax 4 Inner / Black
BCC2	6	15	Wire 1 / Blue
BCC4	35	5	Wire 2 / Green
B+12V	37	7	Wire3 / Red
BPGND	23	6	Wire 4 / Black
Shield	Shell clamp	Shell clamp	Shield
CAM A			
AV+	31	1	Coax 1 Inner / Red
AV-	16	2	Coax 1 Outer / Red
ACC1	1	14	Coax 2 Inner / Green
AGND	17	13	Coax 2 Outer / Green
ACC3	3	4	Coax 3 Inner / Blue
AGND	18	3	Coax 3 Outer / Blue
ACC5	33	8	Coax 4 Inner / Black
AGND	18	3	Coax 4 Inner / Black
ACC2	2	15	Wire 1 / Blue
ACC4	32	5	Wire 2 / Green
A+12V	4	7	Wire3 / Red
APGND	19	6	Wire 4 / Black
Shield	Shell clamp	Shell clamp	Shield

2.2 Bill of Material

- Assembly
 - The cable assembly must be RoHS compliant
- HD44M
 - Sub-D high-density 44-pin male connector
 - Sub-D locking mechanism: UNC 4-40 screw for hand screwing (no screwdriver required)
 - Black molded connector hood
 - *Quantity: 1*
- Composite cable
 - 4 Coaxial Cables 75 Ohms
 - 4 Discrete wires
 - Overall shield
 - Length: 25 cm
 - *Quantity: 4*
- HD15F
 - Sub-D high-density 15-pin female connector
 - Sub-D locking mechanism: UNC 4-40 screw for hand screwing (no screwdriver required)
 - Black molded connector hoods
 - *Quantity: 4*

3. HISTORY

19 december 2006

First version of the specification is released.



**Copyright Euresys s.a.
2007**