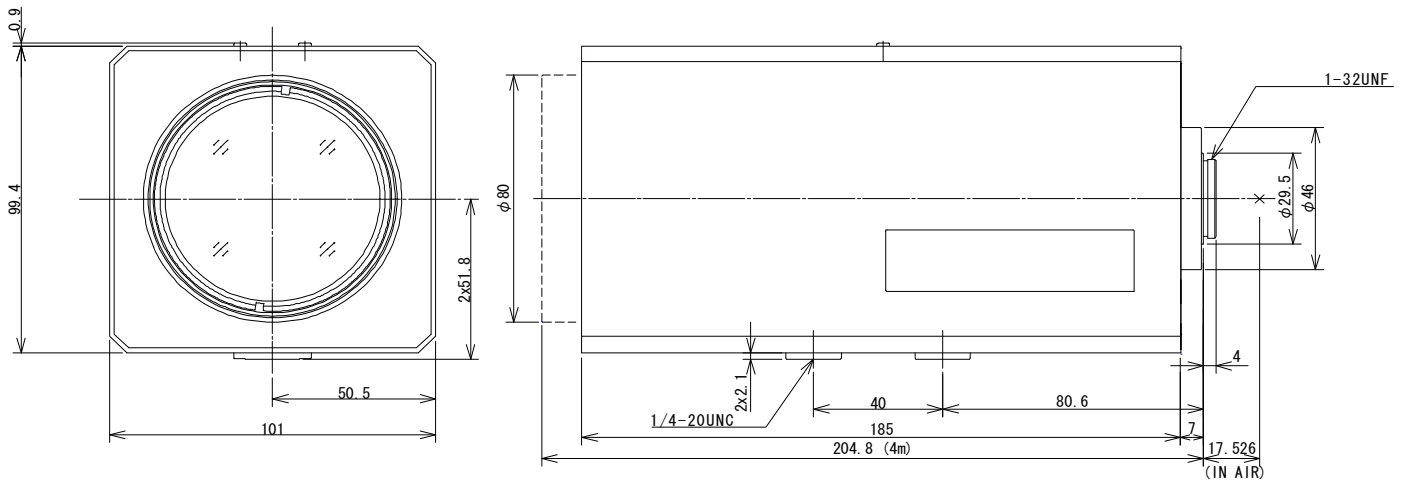


computar® E24Z1018AMSP-MPIR

24X 10mm-240mm F1.8 Day & Night
for 1/1.8 type 3 Megapixel Cameras, Motorized Zoom
C-Mount

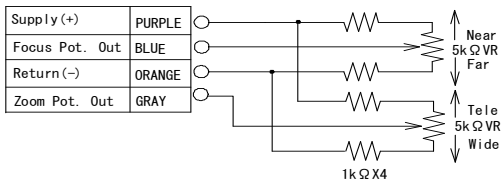
Model No.	E24Z1018AMSP-MPIR		Effective	Front	φ 66mm		
Focal Length	10mm - 240mm		Lens Aperture	Rear	φ 14mm		
Max. Aperture Ratio	1:1.8		Back Focal Length		14.1mm		
Max. Image Circle	φ 8.9mm		Flange Back Length		17.526mm		
Operation Range	Iris	F1.8 - F500C		Mount	C-Mount		
	Focus	4m - Inf.		Filter Size	M77 P=1mm		
	Zoom	10mm - 240mm		Tripod Screw	1/4 -20UNC		
Control	Iris	Video Auto Iris		Dimensions	W101mm x H102.4mm x D204.8mm		
	Focus	Motorized		Weight	2140g		
	Zoom	Motorized					
Angle of View	D	1/1.8 type (4:3)	48.4° - 2.2°	1/2 type (4:3)	43.7° - 2.0°	1/3 type (4:3)	33.0° - 1.5°
	H		39.0° - 1.7°		35.2° - 1.6°		26.5° - 1.2°
	V		29.5° - 1.3°		26.5° - 1.2°		19.9° - 0.9°
	Auto Iris		Focus	Zoom			
Supply Voltage	DC8.5V - DC16V		DC6V	DC6V			
Current	35mA or less		90mA or less	90mA or less			
Response Time	Approx. 5 sec.		Approx. 6.5 sec.	Approx. 6.5 sec.			
Preset Potentiometer	—		5k Ω VR	5k Ω VR			
Operating Temperature	-10°C - +50°C						

Dimensions

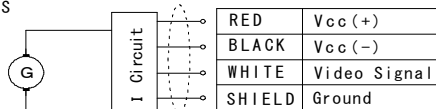


Wiring Diagram

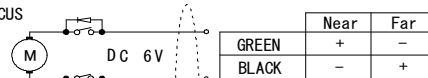
PRESET POTENTIOMETER



IRIS



FOCUS



ZOOM

