



**For Security  
Fish-Eye**

Applicable camera (model)

# FE185C046HA-1

1	2/3	1/2	1/3	1/4
---	-----	-----	-----	-----

FISH-EYE LENSES

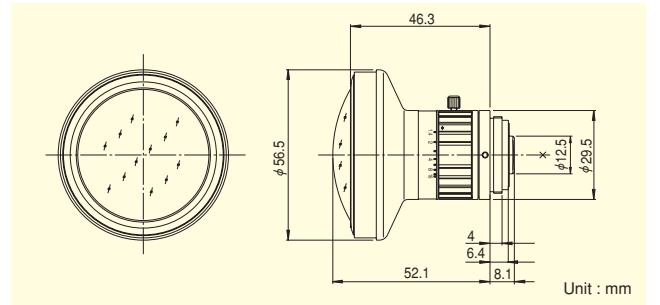
- FIXED**  
Fixed Focal
- Fish-Eye 185°**  
Fish-Eye
- 5 Mega**  
For Megapixel Camera
- MANUAL**  
Manual Iris
- C-mt**  
C Mount
- METAL**  
Metal Mount
- F1.4**  
Wide Aperture Rate



**NEW**

\*Photograph is a similar model.

- High-resolution design, providing support for up to 5 megapixel camera resolution.
- Super wide angle of 185 degrees that eliminates dead angles and enables effective, wide-area surveillance.
- Designed with the f-theta system, most suited for uniform displaying of images. Allows high-quality image display, partial enlargement, and conversion to ordinary-looking images to be performed easily with imaging software.



Focal Length (mm)		1.4
Iris Range		F1.4 ~ F16
Operation	Focus	Fixed
	Iris	Manual
Angle Of View (H×V)	1/2"	185° × 185° (φ4.6mm)
	1/3"	185° × 144°47'
	1/4"	144°47' × 108°35'
Focusing Range (From Front Of The Lens) (m)		∞ ~ 0.1
Back Focal Distance (in air) (mm)		9.70
Exit Pupil Position (From Image Plane) (mm)		-830
Filter Thread (mm)		—
Mount		C
Mass (g)		140
Remarks		•With Metal Mount •With Locking Knob for Iris

[Fish-Eye Lens Image]



**For Security  
Fish-Eye**

Applicable camera (model)

# FE185C057HA-1

1	2/3	1/2	1/3	1/4
---	-----	-----	-----	-----

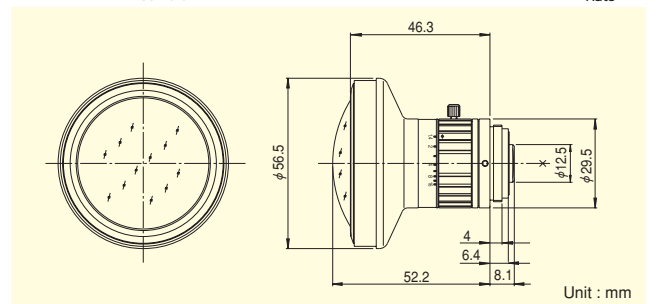
- FIXED**  
Fixed Focal
- Fish-Eye 185°**  
Fish-Eye
- 5 Mega**  
For Megapixel Camera
- MANUAL**  
Manual Iris
- C-mt**  
C Mount
- METAL**  
Metal Mount
- F1.4**  
Wide Aperture Rate



**NEW**

\*Photograph is a similar model.

- High-resolution design, providing support for up to 5 megapixel camera resolution.
- Super wide angle of 185 degrees that eliminates dead angles and enables effective, wide-area surveillance.
- Designed with the f-theta system, most suited for uniform displaying of images. Allows high-quality image display, partial enlargement, and conversion to ordinary-looking images to be performed easily with imaging software.



Focal Length (mm)		1.8
Iris Range		F1.4 ~ F16
Operation	Focus	Fixed
	Iris	Manual
Angle Of View (H×V)	2/3"	185° × 185° (φ5.7mm)
	1/2"	185°01' × 154°08'
	1/3"	154°08' × 115°27'
Focusing Range (From Front Of The Lens) (m)		∞ ~ 0.2
Back Focal Distance (in air) (mm)		9.70
Exit Pupil Position (From Image Plane) (mm)		-61
Filter Thread (mm)		—
Mount		C
Mass (g)		135
Remarks		•With Metal Mount •With Locking Knob for Iris

[Fish-Eye Lens Image]

