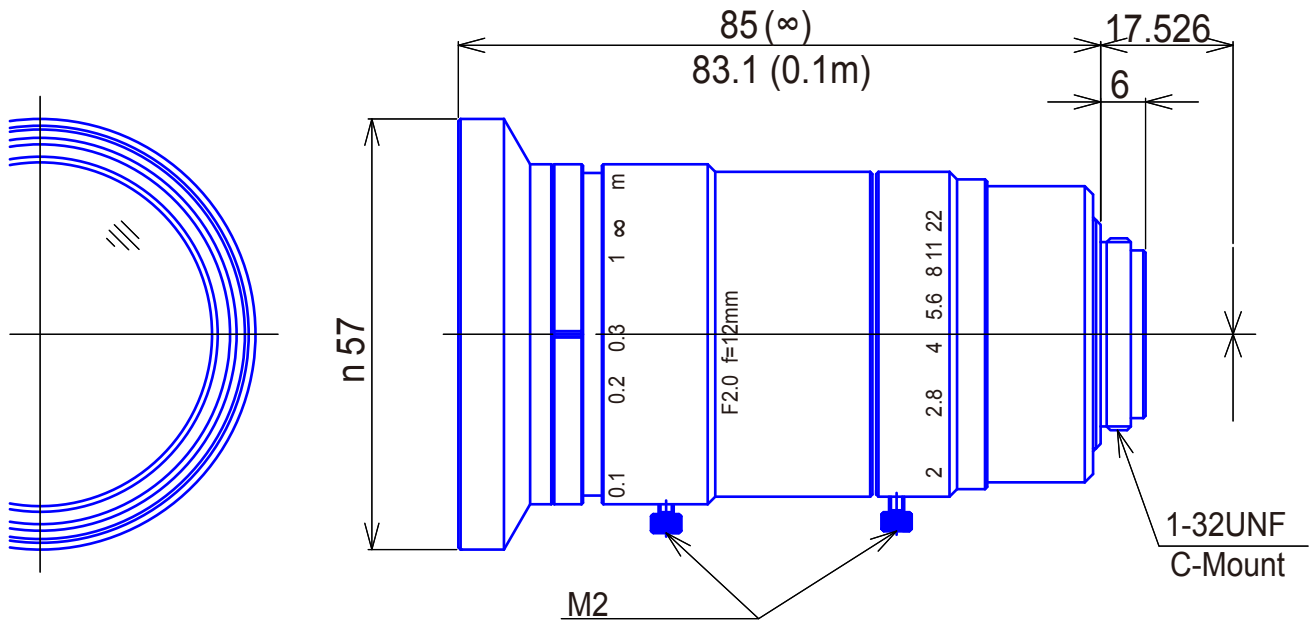
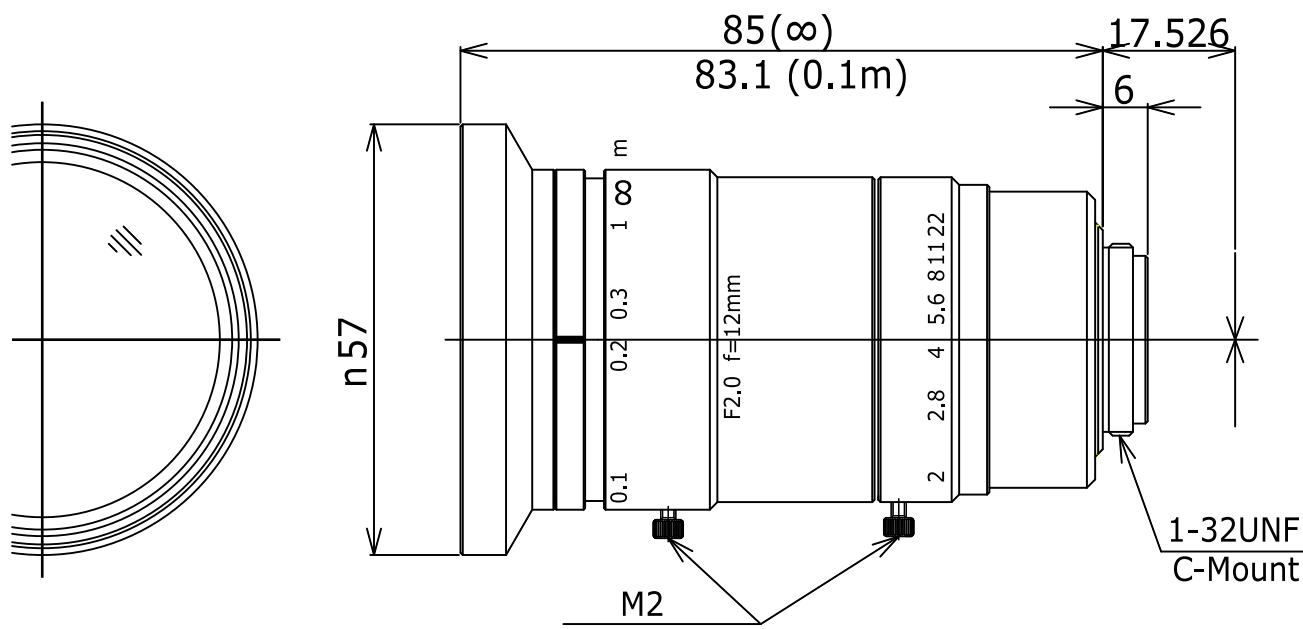


**4/3inch Format(Ø23mm)  
Megapixel Lenses**

**Item No.GMHR61220MCN**



ITEM NO.	GMHR61220MCN
Focal Length	12 (mm)
Iris Range	F2 - 22
Angle of View (H x V x D)	74.9° x 59.6° x 86.8°
MOD	0.1 (m)
Filter Thread	M=55, P=0.75
Dimension (D x L)	Ø57 x 85 (mm)
Weight	270 (g)



<b>φ23 2.0/12mm C</b>		
FOCAL LENGTH	f=12mm	
MAX. DIAMETER (RATIO)	F=1 : 2.0~22	
ELEMENT	10 GROUPS 12 ELEMENTS	
PICTURE SIZE	13.8x18.4mm	
ANGLE	VER. ANGLE	59.6°
	HOR. ANGLE	74.9°
	DIA. ANGLE	86.8°
DISTORTION (TV)	0.59%	
SHOOTING RANGE AT MINIMUM FOCUS DISTANCE	VER.	136 mm
	HOR.	182 mm
	DIA.	225 mm
MINIMUM FOCUS DISTANCE	0.1m	
FLANGE BACK	17.526mm in air	
BACK FOCUS	13.0mm in air	
FILTER SCREW SIZE	M55x0.75	
FRONT/REAR EFFECTIVE DIA.	FRONTφ44.8mm	REARφ16.0mm
MOUNT	C-MOUNT	
EXIT PUPIL	-31.8mm	
TEMPERATURE RANGE	-10~+50° C	
STORAGE TEMPERATURE RANGE	-20~+60° C	
RESOLUTION CENTER/CORNER	CENTER 160本/mm CORNER 80本/mm	
LENS COATING	WIDE BAND MULTI COATING	
WEIGHT	270 g	

NOTE: Specifications and availability are subject to change without notice

注) 本仕様については、予告なしに変更する場合があります。

	尺度	1/1	承認	製図
	機種名	4/3(φ23) F2.0 f=12mm		
	機種番	GMHR61220MCN		
	作成年月日			