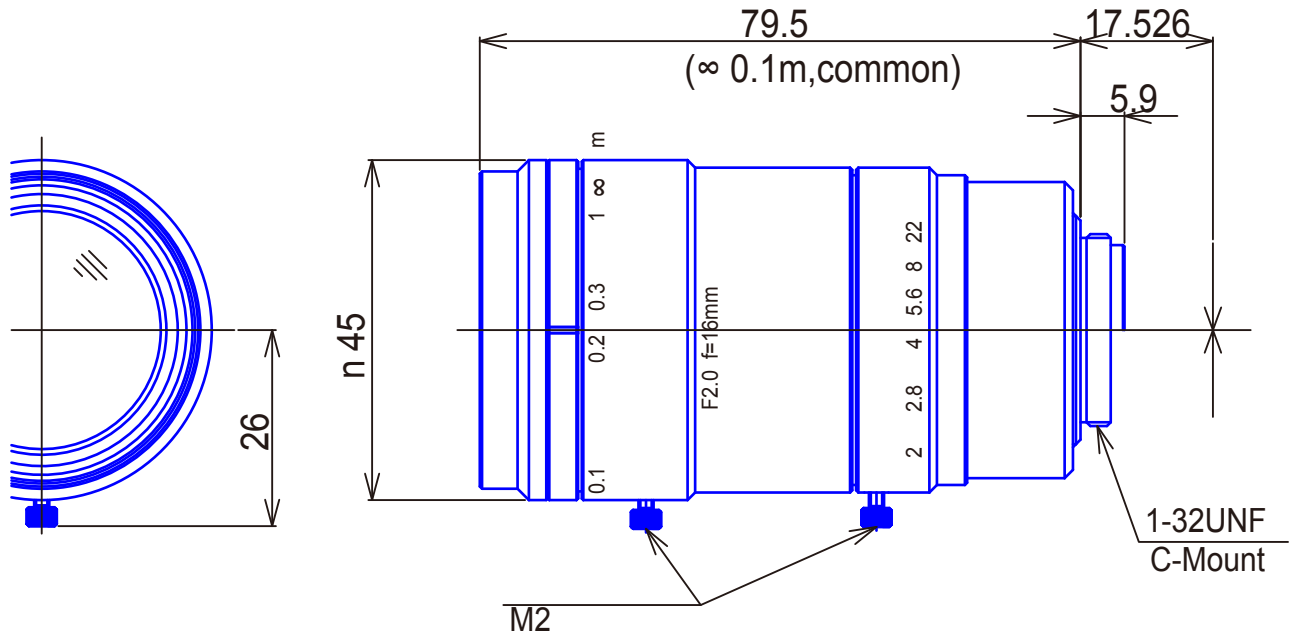
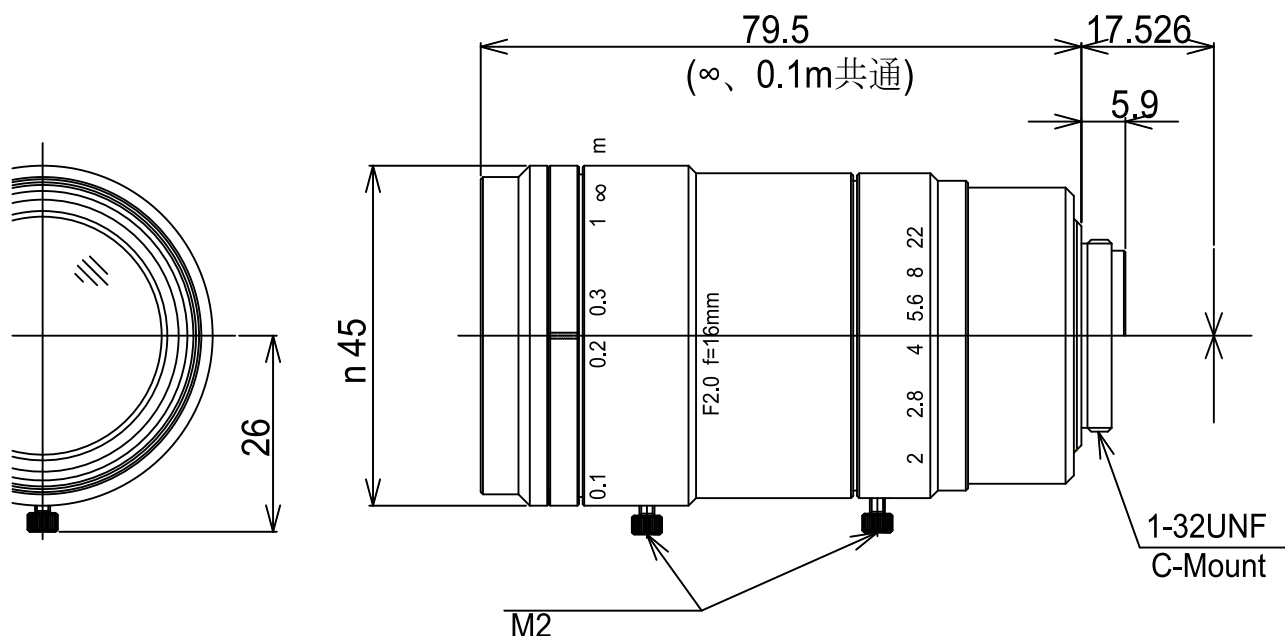


**4/3inch Format(Ø23mm)
Megapixel Lenses**

Item No.GMHR61620MCN



ITEM NO.	GMHR61620MCN
Focal Length	16 (mm)
Iris Range	F2 - 22
Angle of View (H x V x D)	60.6° x 47.2° x 72.0°
MOD	0.1 (m)
Filter Thread	M=40.5, P=0.5
Dimension (D x L)	Ø45 x 79.5 (mm)
Weight	250 (g)



φ23 2.0/16mm C		
FOCAL LENGTH	f=16mm	
MAX. DIAMETER (RATIO)	F=1 : 2.0~22	
ELEMENT	9 GROUPS 11 ELEMENTS	
PICTURE SIZE	13.8x18.4mm	
ANGLE	VER. ANGLE	47.2°
	HOR. ANGLE	60.6°
	DIA. ANGLE	72.0°
DISTORTION (TV)	0.02%	
SHOOTING RANGE AT MINIMUM FOCUS DISTANCE	VER.	101 mm
	HOR.	135 mm
	DIA.	168 mm
MINIMUM FOCUS DISTANCE	0.1m	
FLANGE BACK	17.526mm in air	
BACK FOCUS	13.0mm in air	
FILTER SCREW SIZE	M40.5×0.5	
FRONT/REAR EFFECTIVE DIA.	FRONTφ31.2mm	REARφ16.5mm
MOUNT	C-MOUNT	
EXIT PUPIL	-26.2mm	
TEMPERATURE RANGE	-10~+50° C	
STORAGE TEMPERATURE RANGE	-20~+60° C	
RESOLUTION CENTER/CORNER	CENTER 160本/mm CORNER 80本/mm	
LENS COATING	WIDE BAND MULTI COATING	
WEIGHT	250 g	

NOTE: Specifications and availability are subject to change without notice

注) 本仕様については、予告なしに変更する場合があります。

		尺度 1/1	承認	製図
		機種名	4/3(φ23) F2.0 f=16mm	
		機種番	GMHR61620MCN	
2010.11.03	作成年月日			