

H10Z1218AMS-2

10X 12~120 mm F1.8
for 1/2" format cameras
C-Mount

Model No.	H10Z1218AMS-2		Effective	Front	φ 54.0 mm
Focal Length	12~120mm		Lens Aperture	Rear	φ 9.2mm
Max. Aperture Ratio	1 : 1.8		Back Focal Length		14.4 mm
Max. Image Format	6.4 x 4.8mm (φ 8mm)		Flange Back Length		17.526 mm
Operation Range	Iris	F1.8 ~ 560	Mount		C-Mount
	Focus	1.5m ~ Inf.	Filter Size		M62 P=0.75 mm
	Zoom	12~120mm	Tripod Screw		1/4"-20UNC
Control	Iris	Auto Iris(by galvanometer)	Dimensions		W70 x H79.5 x D123.5mm
	Focus	Motorized	Weight		650g
	Zoom	Motorized			
Object Dimension at M.O.D.	12mm	78.7 x 58.9cm			
	120mm	8.1 x 6.0cm			
Angle of View	D	36.4~3.8°			
	H	29.4~3.1°			
	V	22.2~2.3°			
Control	Iris	Focus	Zoom		
Supply Voltage	DC8.5 ~ 16V	DC8V	DC8V		
Current	40mA or less	40mA or less	40mA or less		
Response Time	Approx. 2 sec.	Approx. 5 sec.	Approx. 4.5 sec.		
Preset Potentiometer	-	-	-		
Light Weighting Method	Adjustable between Average - Peak (to be set at Average at factory)				
Remote Control	Level (VL 1.5 - 5.5V) & ALC(VA 4.0 - 5.5V)				
Input Signal	Video Signal (V or VS)				
Iris Accuracy	± 15% at Video Signal Level				
Sensitivity Adjustment	0.5~1.0Vp-p (Video Signal)				
Input Impedance	High Impedance				
Operating Temperature	-10 ~ +50°C				

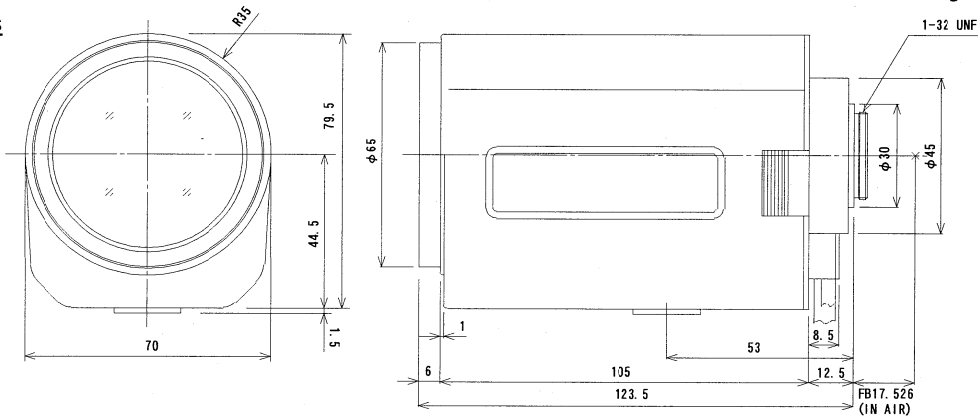
1/2

C

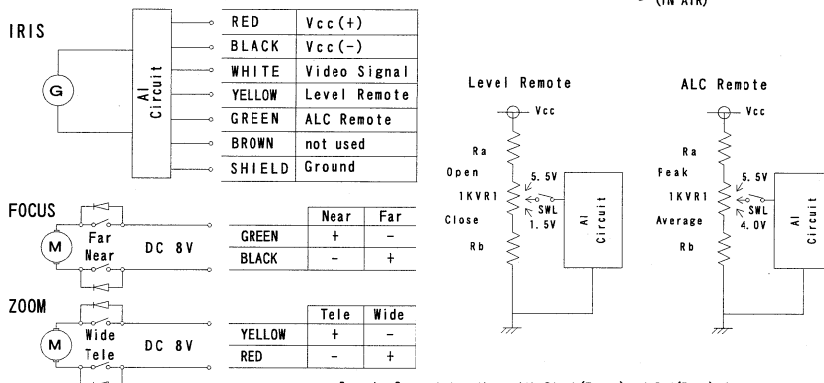
ZA

M.O.D. : Minimum Object Distance

Dimensions



Wiring Diagram



Remarks: Connect together with Black(Focus) and Red(Zoom) for common system when necessary.