

## H16Z7516AMS

16X7.5~120 mm F1.6  
for 1/2" format cameras

C-Mount

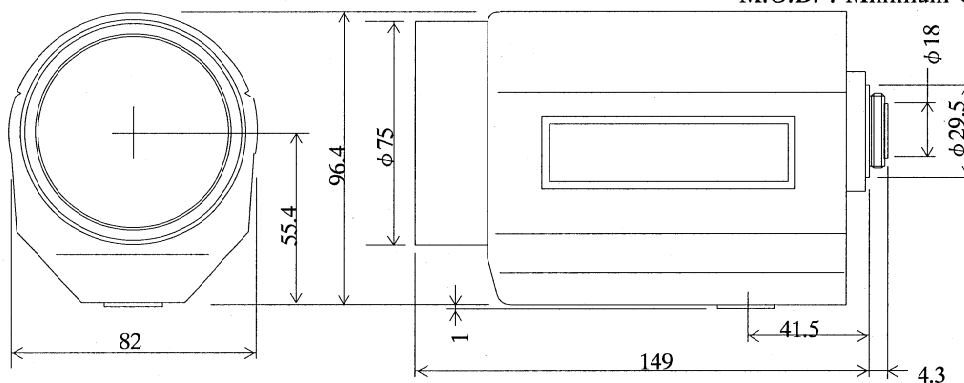
<b>Model No.</b>	H16Z7516AMS		<b>Effective</b>	<b>Front</b>	φ66.4 mm
<b>Focal Length</b>	7.5~120 mm		<b>Lens Aperture</b>	<b>Rear</b>	φ13.5 mm
<b>Max. Aperture Ratio</b>	1:1.6		<b>Back Focal Length</b>	14.00 mm	
<b>Max. Image Format</b>	6.4×4.8 mm (φ8 mm)		<b>Flange Back Length</b>	17.526 mm	
<b>Operation</b>	<b>Iris</b>	Auto Iris, F1.6~560 (by galvano control)	<b>Mount</b>	C-Mount	
	<b>Focus</b>	Motorized 1.5m~Inf.	<b>Filter Size</b>	M72 P=0.75 mm	
	<b>Zoom</b>	Motorized 7.5~120 mm	<b>Tripod Screw</b>	1/4"-20UNC	
<b>Object Dimension at M.O.D.</b>	<b>7.5 mm</b>	129.2×95.5 cm	<b>Weight</b>	1050 g	
	<b>120mm</b>	8.4 × 6.3 cm			
<b>Angle of View</b>	<b>D</b>	57.2° ~ 3.9°	1/3"	43.8° ~ 3.0°	
	<b>H</b>	46.6° ~ 3.2°		35.3° ~ 2.4°	
	<b>V</b>	35.3° ~ 2.4°		26.6° ~ 1.8°	
<b>Control</b>	<b>Iris</b>		<b>Focus</b>		<b>Zoom</b>
	<b>Supply Voltage</b>	DC 8.5~16 V	DC 8 V		DC 8 V
	<b>Current</b>	40 mA or less	45 mA or less		35 mA or less
	<b>Transit Time</b>	Approx. 2 sec.	Approx. 3.5 sec.		Approx. 3.5 sec.
<b>Light Weighting Method</b>	Adjustable between Average - Peak ( to be set at Average at factory )				
<b>Remote Control</b>	Level Remote				
<b>Input Signal</b>	Video Signal ( V or VS )				
<b>Iris Accuracy</b>	± 15% at Video Signal Level				
<b>Sensitivity Adjustment</b>	0.5~1.0Vp-p ( Video Signal )				
<b>Input Impedance</b>	High Impedance				
<b>Operating Temperature</b>	-10° C ~ +50° C				

1/2

C

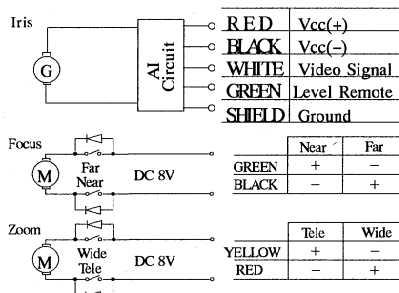
M.O.D. : Minimum Object Distance

Dimensions

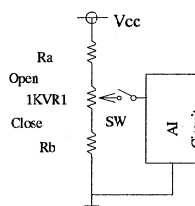


ZA

Wiring Diagram



Level Remote ( As option )



Remarks: Connect together with Black (Focus) and Red (Zoom) for common system when necessary.