

Full HD HD-SDI Camera KP-HD1005-S5

Single sensor KP-HD1005-S5 is small-size full HD camera. High sensitivity and performance with the latest digital code processing.



■ KP-HD1005-S5

- Full HD
2.1 mega pixel camera, utilizing a new 1/3" high sensitive, 1080P, MOS sensor that produces a high definition picture at a frame rate of 30/25 fps progressive scan output.
- Multifunction
Gamma, Knee, Masking picture adjustment function, Long distance transmission function (when used with MU-HD101 multi unit, sold separately), Automatic iris control
- Full HD video with long distance transmission capability.
Camera can transmit full HD image at a long distance utilizing coaxial cable. (Specific transmission distance based on which kind of the coaxial cable used)
- Fog adjust mode deployment
Adaptive Fog Reduction (AFR) allows camera to see through fog, dust & smoke real time in both HD & SD modes simultaneously.
- Signal for Auto focus function
VD, HD, gate pulse for focus, Y signal and Video output.



About 7 times greater FOV (field of view)

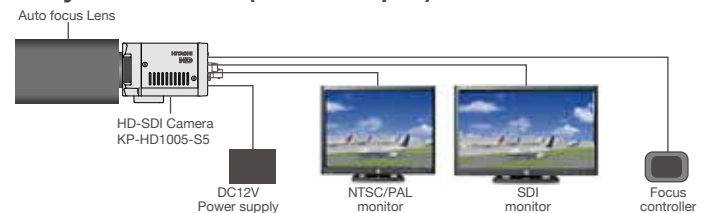


VGA camera



Full HD camera KP-HD1005-S5

■ System chart (an example)



■ Adaptive Fog Reduction function

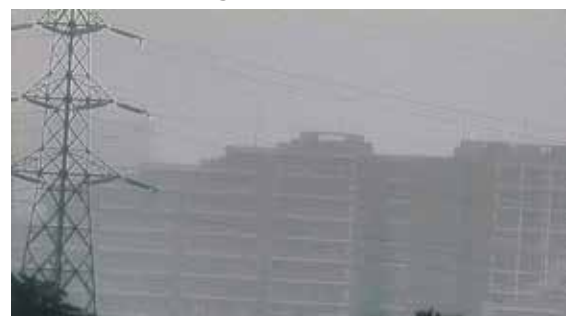
Fog reduction disabled



Typical camera : Details cannot be seen



Fog reduction enabled

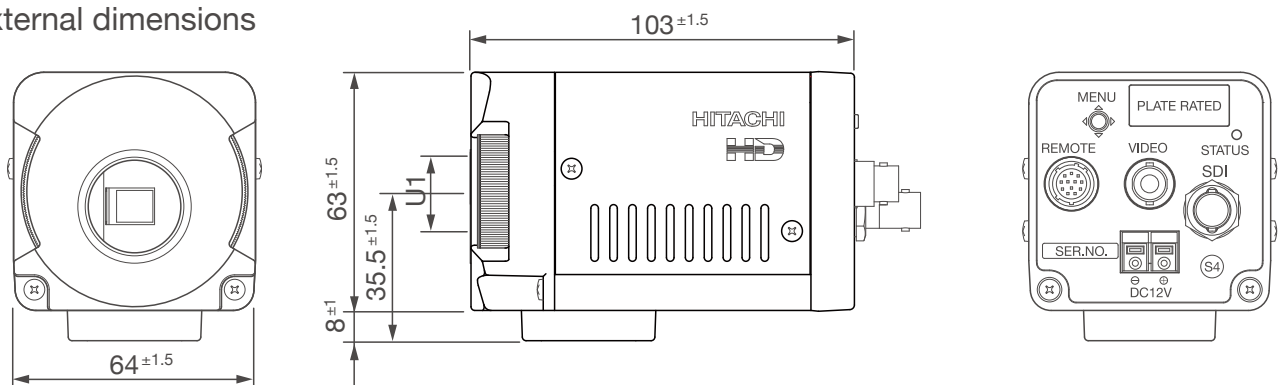


Fog is removed and the details can be seen clearly

Main Specifications

KP-HD1005-S5	
Imaging device	1/3" Progressive Scan CMOS
Total pixels	2010 (H) × 1108 (V) 2.2M pixels
Effective pixels	1944 (H) × 1092 (V) 2.1M pixels
Imaging system	Progressive 30fps/ 25fps (P-type)
Sync system	Internal
Video output	HD-SDI (SMPTE292M)
	Analog VBS
Video format	HD-SDI : 1080/59.94i , 1080/29.97 p , 1080/50i , 1080/25 p
	VBS : NTSC / PAL
Transmission distance	HD-SDI Std mode : max100m (5C-FB 75ohm)
Minimum illumination	Color : 0.2lx (F1.2 / AGC48dB) / 0.007lx (F1.2 / AGC48dB/accumulation 60 times)
	B/W : 0.02lx (F1.2 / AGC48dB) / 0.0007lx (F1.2 / AGC48dB/accumulation 60 times)
	*3200K Tungsten lamp use
S/N ratio	50dB (AGC : OFF/Weight : ON)
Resolution	800TV line
Lens mount	C / CS C mount Adaptor included
Power consumption	DC+12V, POC (Power over coaxial) from MU-HD101 (option) / 7.8W
Operating temperature	- 10 to +50°C (+ 14 to 122F)
External dimensions	64 (W) × 63 (H) × 103 (D) mm
Mass	Approx.400g (14oz)
Accessory (Sold separately)	Lens / HR-10A-10P-12P (HRS) serial connector / Multiunit (MU-HD101)
Operational	
AGC	OFF/ Auto (Max Gain 48dB) / Manual (0dB to 48dB)
	*1dB step setting (FOG ON : 0dB to 42dB)
Electronic shutter	OFF/ AES / Manual (1/30 to 1/100000 sec)
Electronic sensitivity (accumulation)	OFF/ Auto (Max 60 times) / Manual (2 to 10 times)
BLC	OFF/ ON (photometry area can be set up for ROI, region of interest)
White Balance	Auto : ATW / AWC Manual : Manual (2500K to 8000K)
FOG reduction	OFF/ON
Day and night (W/B switching)	Color / B/W / Auto (ICR)
Picture adjust menu	Video level / Gamma correction / Chroma level/Black level/Enhance level
Lens control	DC / VIDEO
Remote control	RS-232C / Signal for Auto focus function
others	CE / RoHSII

External dimensions



CAUTION : To ensure safe operation, please read the instruction manual before using this product.

Hitachi Kokusai Electric Inc.

These Specifications are subject to change without notice.

Head Office : 4-14-1, Sotokanda, Chiyoda-ku, Tokyo 101-8980, Japan
Phone : +81(0)3-6734-9432, Fax : +81(0)3-5209-5942
URL : <http://www.hitachi-kokusai.co.jp/>

Hitachi Kokusai Electric (Shanghai) Co., Ltd.

Beijing Branch : Room 1415, Beijing Fortune Building, 5 Dong San Huan Bei-Lu, Chao Yang District, Beijing 100004, China
Phone : +86(0) 10-6590-8755/8756, Fax : +86(0) 10-6590-8757

Hitachi Kokusai Electric America, Ltd.

Headquarters and Northeast Office : 150 Crossways Park Drive, Woodbury, New York 11797, U.S.A.
Phone : (+1)516-921-7200, Fax : (+1)516-496-3718

West Office : 11258 Monarch Street Suite H Garden Grove, CA 92841, U.S.A.
Phone : (+1)714-895-6116, Fax : (+1)714-895-6252

Midwest Sales : Phone : (+1)330-334-4115, Fax : (+1)516-496-3718
Service : (+1)989-345-5379

South Sales : Phone : (+1)850-934-1234
Service : (+1)256-774-3777

Parts Center : Phone : (+1)516-682-4435, Fax : (+1)516-921-0993

Latin Sales : Phone : (+1)516-682-4420, Fax : (+1)516-496-3718

Hitachi Kokusai Electric Canada, Ltd.

Head Office : 1 Select Avenue Unit#12 Scarborough, Ontario M1V5J3, Canada
Phone : (+1)416-299-5900, Fax : (+1)416-299-0450

Eastern Office : 5795 Chemin St. Francois St. Laurent, Quebec H4S 1B6, Canada
Phone : (+1)514-332-6687, Fax : (+1)514-335-1664

Hitachi Kokusai Electric Europe GmbH

Sales and Engineering : Siemensstr. 9, D-63263 Neu-Isenburg, Germany
Phone : +49(0) 6102-8332-0, Fax : +49(0) 6102-202616

Frankfurt office : Windsor House, Queensgate, Britannia Road, Waltham Cross, Hertfordshire EN8 7NX, United Kingdom

Phone : +44(0) 845-121-2177, Fax : +44(0) 845-121-2180

General email address : webmaster@hitachi-keu.com

Hitachi Kokusai Linear Equipamentos Eletrônicos S/A

Head Office : Praca Linear, 100, Centro - 37540-000, Santa Rita do Sapucaí, MG - Brazil
Phone : (+55 35) 3473-3473, Fax : (+55 35) 3473-3474

Sales office : Av Paulista, 1159 - 3º andar - Ed Barão do Serro Azul Jardim Paulista - 01311-200, São Paulo, SP - Brazil

Phone : (+55 11) 3541-3244, Fax : (+55 11) 3541-2425

Sales office : Rua dos Timbiras, 1940, Rooms 608/609

Lourdes - 30140-061 - Belo Horizonte, MG - Brazil

Phone : (+55 35) 3473-3473, Fax : (+55 35) 3473-3474