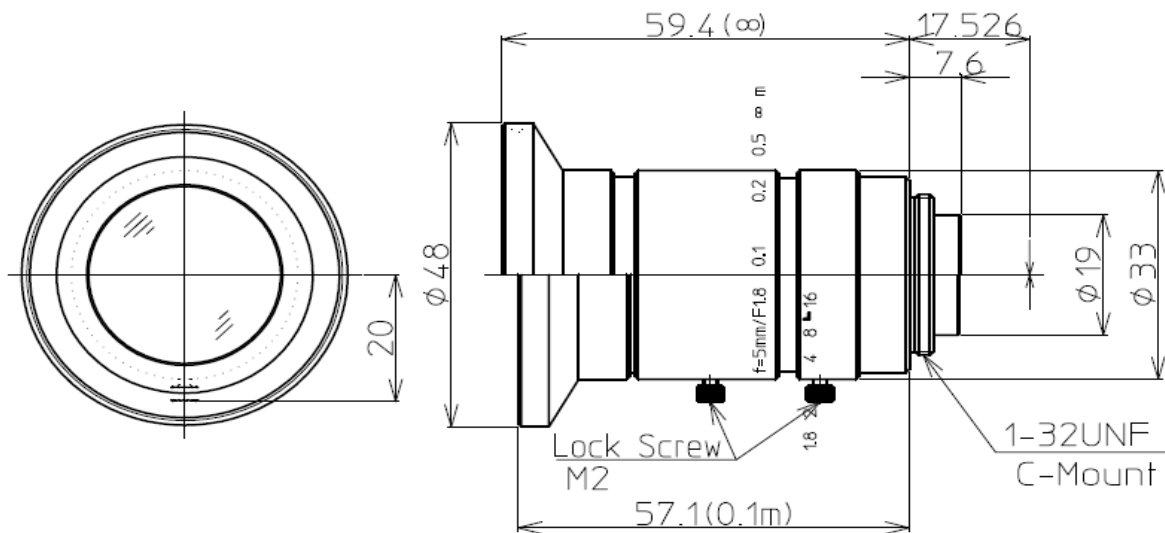


LM5JC10M



2/3" 1.8/5mm C		1/2"	1/3"
FOCAL LENGTH		f=5mm	
MAX. DIAMETER (RATIO)		F=1:1.8~16	
ELEMENT		8 ELEMENTS 9 GROUPS	
PICTURE SIZE		6.6x8.8mm	4.8x6.4
ANGLE	VER. ANGLE	66.5°	51.1°
	HOR. ANGLE	82.2°	64.9°
	DIA. ANGLE	95.4°	76.8°
DISTORTION (TV)		-0.33%	-
SHOOTING RANGE AT MINIMUM FOCUS DISTANCE	VER.	147.0mm	106.8mm
	HOR.	197.0mm	142.5mm
	DIA.	249.7mm	178.6mm
MINIMUM FOCUS DISTANCE		0.1m	
FLANGE BACK		17.526mm in air	
BACK FOCUS		10.3mm in air	
FILTER SCREW SIZE		M46x0.75	
FRONT/REAR EFFECTIVE DIA.		FRONT $\phi 27.5\text{mm}$	REAR $\phi 14.3\text{mm}$
MOUNT		C-MOUNT	
EXIT PUPIL		338.7	
TEMPERATURE RANGE		-10~+50° C	
STORAGE TEMPERATURE RANGE		-20~+60° C	
RESOLUTION CENTER/CORNER		CENTER 200 $\#$ /mm CORNER 160 $\#$ /mm	
LENS COATING		WIDE BAND MULTI COATING	
WEIGHT		120g	