

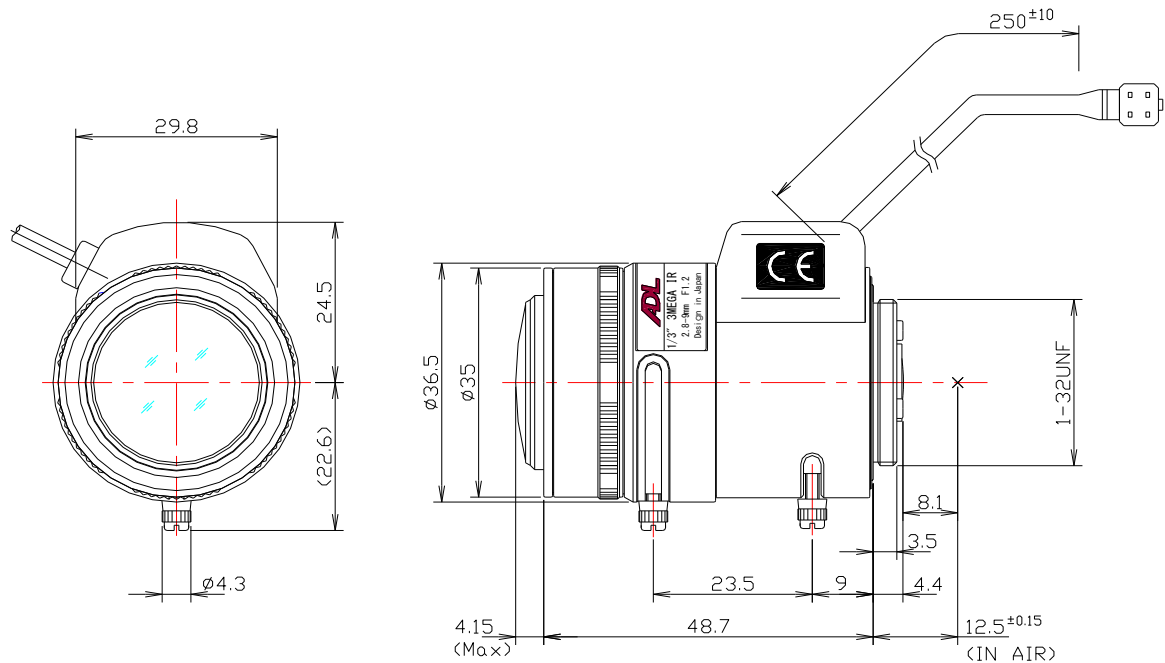
# 3 Mega Pixel

## MTV3X2812S



Type	AI VARI		Mount	CS	
Focal Length	2.8~9.0mm		Back Focus	8.018~15.491mm	
Fno.	F1.2		Mechanical Bf	8.1mm	
Designed Image Format	1/3"(φ 6.0mm)		Exit Pupil	-654.3 ~ -30.15mm	
Operation Range	Iris	F1.2-Close	Filter Size	-	
	Focus	0.5m~∞	Aperture	Front	φ 23.3mm
	Zoom	2.8~9.0mm		Rear	φ 8.2mm
Control	Iris	Mortorized	Dimension	φ 36.5 x 48.7mm	
	Focus	Manual Control		Weight	55.5g
	Zoom	Manual Control			
	ICR	-			
Object Size at MOD	Wide	4:3	741.4x1171.4mm		
	Tele		221.6x298.8mm		
Field of View	D	4:3	125.7° ~ 39.6°		
	H		97.7° ~ 31.7°		
	V		71.9° ~ 23.8°		
Control	Iris		Focus	Zoom	
Motor type	PM type stepping motor		-	-	
Operation voltage	3V~5V		-	-	
Coil resistance	33Ω /phase ± 10%		-	-	
Excite driving method	2phase excitation bipolar method		-	-	
Step angle	0.821°		-	-	
Insulation resistance	1MΩ or more		-	-	
Input Signal	-				
Iris Accuracy	-				
Sensitivity Adjustment	-				
Operating Temperature	-10 ~ +50 °C				

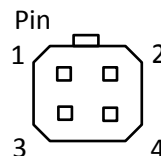
### DIMENSIONS



### Wiring Diagram

P Iris Connector for Auto Iris

PIN No.	STEP PHASE	CLOSE		OPEN	
		1	2	3	4
1	B	H	H	L	L
2	A	H	L	L	H
3	$\bar{A}$	L	H	H	L
4	$\bar{B}$	L	L	H	H



Subject to change without notice