



SIM400N & SIM500N

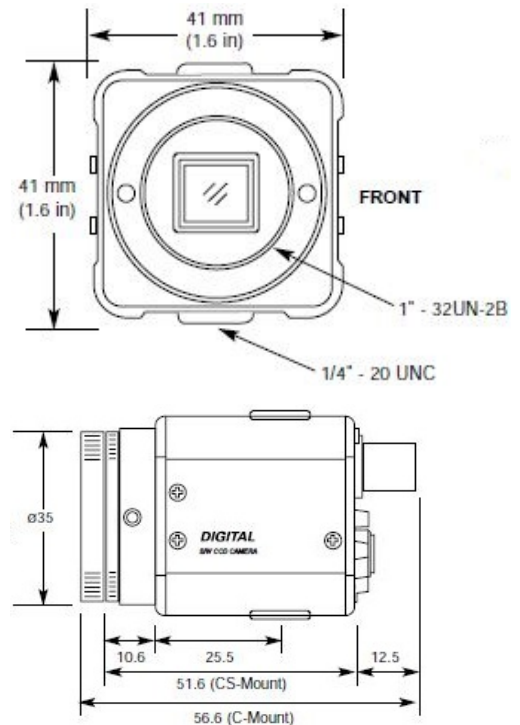
Miniature 1/2" & 1/3" Monochrome Cameras
For Machine Vision & Microscopy Markets



Costar's Miniature 1/2" & 1/3" monochrome cameras exclusively from IVS Imaging. The SIM400N (1/2") & SIM500N (1/3") are cost efficient, high resolution analog cameras with unique functionality & a small form factor. The cameras have D.S.P. w/ On-screen Programming, High Sensitivity (0.1 lux), Selectable Backlight Compensation, Selectable Electronic Shutter, and Variable Gamma.

IVS Imaging is your source for all machine vision accessories including lenses, cables, monitors & frame grabbers.

SPECIFICATIONS	SIM400N	SIM500N
Sensor	1/2" Interlace CCD	1/3" Interlace CCD
Effective Pixels	768(H) x 494(V) / 752(H) x 582(V)	
Video Standard	EIA / CCIR	
Sync System	Internal	
Hor. Resolution	580 TV Lines	
Video Outputs	Composite Video (1.0Vp-p/ 75Ω)	
Video S/N	50dB (AGC Off, Sharpness Low)	
Min. Illumination	0.1 Lux (F 1.2, 50 IRE)	
AGC	50dB (On/Off Selectable)	
Backlight Comp.	On/Off	
Auto Electronic Shutter	Auto/Manual (1/60 ~ 1/100,000 Sec.)	
Gamma Correction	Variable	
Lens Mount	C/CS Mount (C-mount adapter included)	
Power	DC12V (provided w/ camera)	
Operating Temp.	-10C to 50C (14F to 122F)	
Weight	140g (0.33 lbs.)	
Dimensions (w/o lens)	41 (W) x 41 (H) x 56 (D) mm 1.6 (W) x 1.6 (H) x 2.0 (D) in	



Follow us on:



101 Wrangler, Suite 201 • Coppel, Texas 75019 • Phone: 469-635-6810 • Fax: 469-635-6822 • Toll Free: 1-888-446-1301

WWW.IVSIMAGING.COM