

SPECIFICATIONS

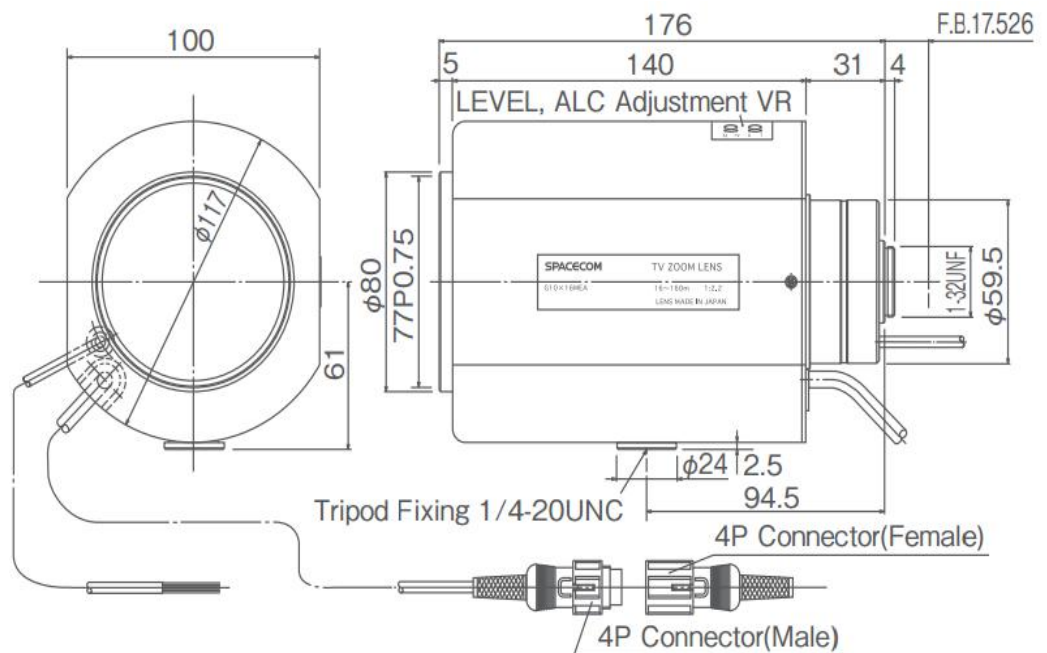
Parameter of Lens

Photo (Just for Reference)

Name	Mega pixel	
Model No	STL16160A	
Focal-Length(mm)	16 ~ 160	
Aperture(D/f')	F2.2	
Mount	C	
Format(inch)	1"	
Field of View(H-fov)	43.6° ~ 4.6°	
Mega pixel	>1	
Weight(g)		
M.O.D(m)	1.1	
Operation	Focus	Motorized
	Zoom	Motorized
	Iris	Video



Size



Tolerance

Dimension	0-10	10-30	30-100	Unit
	±0.10	±0.20	±0.30	mm