

T6Z5710MSP-CS

6X 5.7~34.2 mm F1.0
for 1/3" format cameras
CS-Mount

with preset

Model No.	T6Z5710MSP-CS		Effective	Front	φ41.0 mm
Focal Length	5.7~34.2 mm		Lens Aperture	Rear	φ10.2 mm
Max. Aperture Ratio	1:1.0		Back Focal Length	8.5 mm	
Max. Image Format	4.8×3.6 mm (φ6 mm)		Flange Back Length	12.5 mm	
Operation	Iris	Motorized, F1.0~360C	Mount	CS-Mount	
	Focus	Motorized, Preset, 1.2m~Inf.	Filter Size	M49 P=0.75 mm	
	Zoom	Motorized, Preset, 5.7~34.2 mm	Tripod Screw	1/4"-20UNC	
Object Dimension at M.O.D.	5.7 mm	101.6 × 75.2 cm	Dimensions	W68.5 × H76.3 × D82.5 mm	
	34.2 mm	17.0 × 13.0 cm		Weight	470 g
Angle of View	D	56.5° ~ 10.0°			
	H	45.9° ~ 8.1°			
	V	34.8° ~ 6.2°			
Control	Supply Voltage	Iris	Focus	Zoom	
	Current	DC 8 V	DC 8 V	DC 8 V	
	Transit Time	25 mA or less	25 mA or less	25 mA or less	
		Approx. 2 sec.	Approx. 3.5 sec.	Approx. 4 sec.	
Preset Potentiometer	-	5KΩ VR	5KΩ VR	5KΩ VR	
Operating Temperature	-10° C ~ +50° C				

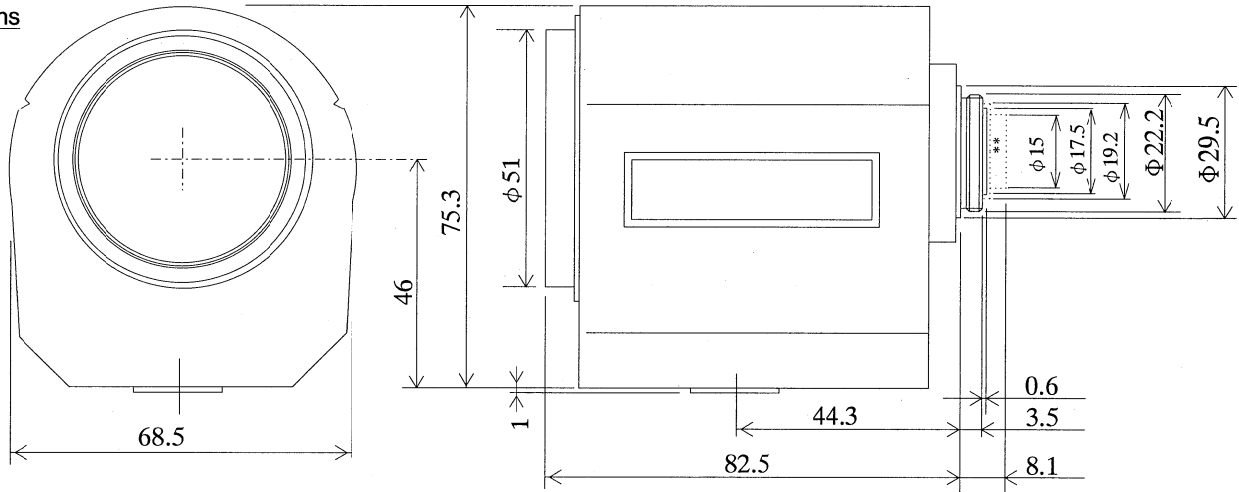
1/3

CS

ZM

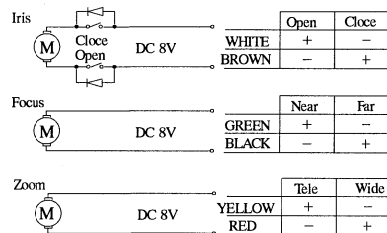
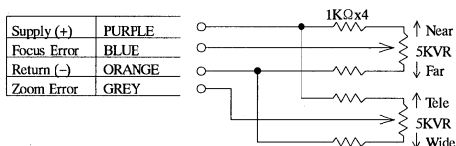
M.O.D. : Minimum Object Distance

Dimensions



Wiring Diagram

PRESET POTENTIOMETER



**:
Using with a B/W camera,
please use the attached
"B/W aberration compensa-
tion Filter" and
"FB compensation Spacer".
The filter (M20 p=0.5mm)
should be screwed onto
the lens from rear side
and the spacer should be
placed between lens and
camera.

Remarks: Connect together with Brown (Iris), Black (Focus) and Red (Zoom) for common system when necessary.