

XC-ES50/ES50CE XC-ES30/ES30CE XC-EI50/EI50CE XC-EI30/EI30CE XC-EU50/EU50CE

Component/OEM



OUTLINE

The XC-E Series are compact, light-weight one-piece black and white cameras incorporating the latest 1/2 and 1/3 type Interline (IT) CCD which produces new levels of picture detail. With dimensions of 29 x 29 x 32 mm (1 3/16 x 1 3/16 x 1 5/16 inches), these cameras can easily be installed in places where installation was previously difficult for other larger cameras.

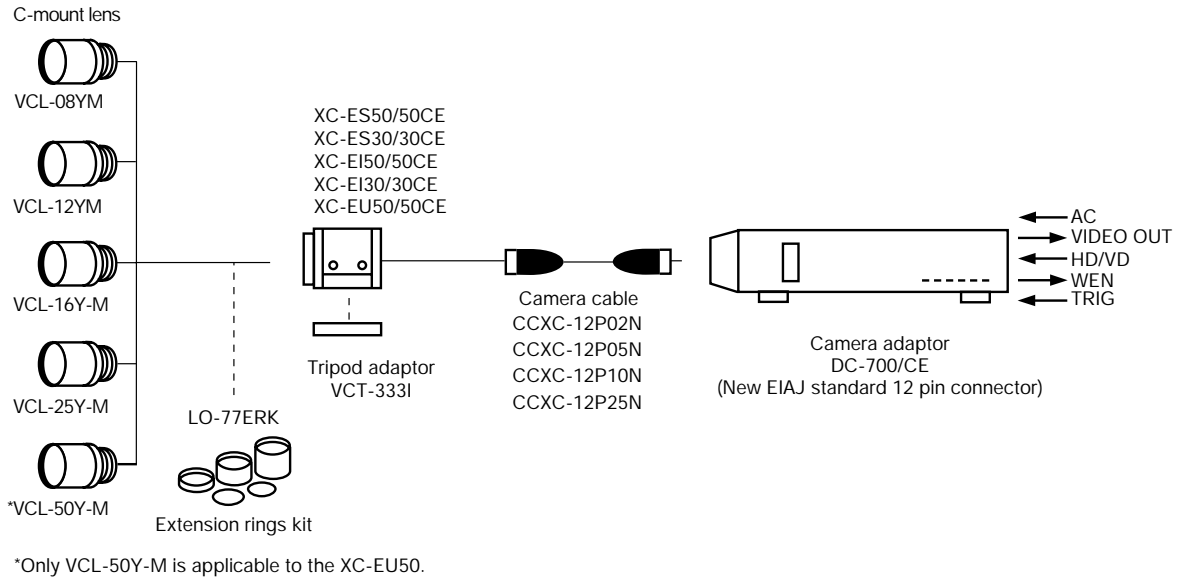
The three Series - XC-ES, XC-EI and XC-EU Series - differ in their applicable wavelength range so as to suit various environments of customer's site. The XC-ES Series (XC-ES50/ES50CE and XC-ES30/ES30CE) are standard models for visible radiation range, while the XC-EI Series cameras (XC-EI50/EI50CE and XC-EI30/EI30CE) are near IR models which have near-infrared sensitivity. When used with an IR LED illuminator, the XC-EI cameras can capture clear images in very low light environments. On the other hand, the XC-EU Series (XC-EU 50/EU50CE) are UV models which can detect very detailed data, utilizing the characteristics of the shorter wavelength range, with the sensitivity to the near-ultraviolet range (365 nm).

All models have identical dimensions and controls, making them easy to interchange. A variety of settings are available for differing subject and lighting conditions. All camera control switches are accessible from the outside of the camera. Excellent vibration and shock characteristics make these cameras ideal for demanding machine vision applications.

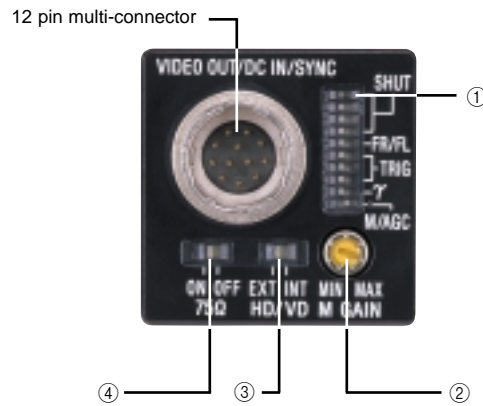
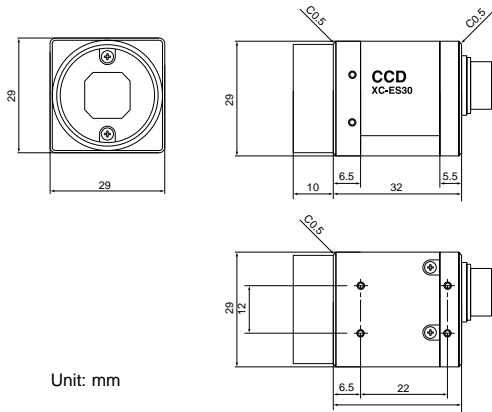
FEATURES

- XC-ES50/ES50CE/EI50/EI50CE: 1/2-inch type IT CCD
- XC-ES30/ES30CE/EI30/EI30CE: 1/3-inch type IT CCD
- XC-EU50/EU50CE: 1/2-inch type IT CCD
- Compact and light weight: 29 (W) x 29 (H) x 32 (D) mm, 50 g (1 3/16 x 1 3/16 x 1 5/16 inches, 2 oz)
- Near-infrared sensitivity (XC-EI50/EI50CE, XC-EI30/EI30CE)
- Near-ultraviolet sensitivity (XC-EU50/EU50CE)
- Minimum illumination at F1.4
 - 0.3 lx (XC-ES50/ES50CE, XC-ES30/ES30CE)
 - 0.1 lx (XC-EI50/EI50CE)
 - 0.2 lx (XC-EI30/EI30CE)
- High S/N Ratio: 60 dB
- Electronic shutter function (1/100 - 1/10,000 s)
- Flexible trigger shutter function
- 2:1 interlaced/non-interlaced
- Frame/field exposure
- Restart/reset function
- Synchronization: internal/external (HD/VD, VS)
- High shock and vibration tolerance

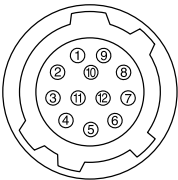
CONNECTION DIAGRAM



DIMENSIONS & REAR PANEL



12 Pin multi-connector



PIN No.	External sync (HD/VD)	Internal sync (HD/VD)
1	GND	GND
2	+12 V	+12 V
3	GND	GND
4	Video output	Video output
5	GND	GND
6	*1 HD input	HD output
7	*1 VD input	VD output
8	GND	GND
9	-	-
10	*2 WEN output	*2 WEN output
11	TRIG input	TRIG input
12	GND	GND

*1 HD/VD input is required when using restart, reset mode.
*2 WEN output works only when in external trigger shutter mode.

● Factory setting mode of rear panel

No.	Switch name	Factory-setting mode	
①	Shutter speed/Mode setting DIP switch	Dip switch 1-4: Shutter speed	OFF
		Dip switch 5: FRAME/FIELD	FRAME
		Dip switch 6-8: External trigger shutter mode, restart/reset mode	Normal
		Dip switch 9: Gamma ON/OFF	OFF
		Dip switch 0: GAIN	Manual
②	Manual GAIN (M GAIN) control knob	Twelve o'clock position	
③	HD/VD signal input/output switch	EXT	
④	75 Ω termination switch	ON	

ACCESSORIES

Compact camera adaptor DC-700/700CE

- Compact, lightweight (700 g, 1 lb 8 oz)
- External sync IN / OUT
- Trigger input / WEN output
- New EIAJ standard 12 pin connector
- Dimensions: 110(W) x 53(H) x 160(D) mm (4 3/8 x 2 1/8 x 6 3/8 inches)



12 pin camera cable (CE standard)

- CCXC-12P02N (2m)
- CCXC-12P05N (5m)
- CCXC-12P10N (10m)
- CCXC-12P25N (25m)



Tripod adaptor VCT-333I

- ABS
- Approx. 6.1 g (0.2 oz)
- Dimensions: 18(W)x6(H)x2.9(D)mm (23/32 x 1/4 x 1/8 inches)



Standard model

XC-ES50/ES50CE XC-ES30/ES30CE



Near IR model

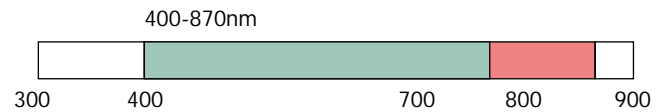
XC-EI50/EI50CE XC-EI30/EI30CE



■ Applicable wavelength range



■ Applicable wavelength range



SPECIFICATIONS

	XC-ES50	XC-ES50CE	XC-ES30	XC-ES30CE	XC-EI50	XC-EI50CE	XC-EI30	XC-EI30CE
Image device	1/2 type IT CCD		1/3 type IT CCD		1/2 type IT CCD		1/3 type IT CCD	
Effective picture elements	768 (H) x 494 (V)	752 (H) x 582 (V)	768 (H) x 494 (V)	752 (H) x 582 (V)	768 (H) x 494 (V)	752 (H) x 582 (V)	768 (H) x 494 (V)	752 (H) x 582 (V)
Signal system	EIA (standard)	CCIR (standard)	EIA (standard)	CCIR (standard)	EIA (standard)	CCIR (standard)	EIA (standard)	CCIR (standard)
Horizontal frequency	15.734 kHz	15.652 kHz	15.734 kHz	15.652 kHz	15.734 kHz	15.652 kHz	15.734 kHz	15.652 kHz
Vertical frequency	59.94 Hz	50 Hz	59.94 Hz	50 Hz	59.94 Hz	50 Hz	59.94 Hz	50 Hz
Cell Size	8.4 x 9.8 μm	8.6 x 8.3 μm	6.35 x 7.4 μm	6.5 x 6.25 μm	8.4 x 9.8 μm	8.6 x 8.3 μm	6.35 x 7.4 μm	6.5 x 6.25 μm
Lens mount	C mount							
Flange back	17.526 mm							
Sync system	Internal / External (auto)							
External sync system	HD / VD (2 to 5 Vp-p), VS							
External sync frequency	+/- 1%							
Jitter	Less than +/- 50 nsec							
Scanning system	2:1 Interlaced							
Video output	1.0 Vp-p, negative, 75 Ω unbalanced							
Horizontal resolution	570 TV lines	560 TV lines	570 TV lines	560 TV lines	570 TV lines	560 TV lines	570 TV lines	560 TV lines
Sensitivity	400 lx F5.6 (γ = ON MIN GAIN, NO IR cut filter)		400 lx F4 (γ = ON MIN GAIN, NO IR cut filter)		400 lx F11 (γ = ON MIN GAIN, NO IR cut filter)		400 lx F8 (γ = ON MIN GAIN, NO IR cut filter)	
Minimum illumination*	0.3 lx		0.3 lx		0.1 lx		0.2 lx	
S/N ratio	60 dB							
Gain	AGC (0-18 dB) / Manual (0-18 dB) Selectable							
Gamma	ON / OFF							
Normal shutter	1/100 to 1/10,000 S	1/120 to 1/10,000 S	1/100 to 1/10,000 S	1/120 to 1/10,000 S	1/100 to 1/10,000 S	1/120 to 1/10,000 S	1/100 to 1/10,000 S	1/120 to 1/10,000 S
External trigger shutter**	1/4 to 1/10,000 S	1/4 to 1/8,000 S	1/4 to 1/10,000 S	1/4 to 1/8,000 S	1/4 to 1/10,000 S	1/4 to 1/8,000 S	1/4 to 1/10,000 S	1/4 to 1/8,000 S
Power requirements	DC12 V (+9 to 16 V)							
Power consumption	1.6 W		1.4 W		1.6 W		1.4 W	
Dimensions	29 (W) x 29 (H) x 32 (D) mm (1 3/16 x 1 3/16 x 1 5/16 inches)							
Mass	50 g (2 oz)							
Operation temp./mois.	-10 to +50°C (14 to +122°F) / 20 to 80%							
Storage temp./mois.	-20 to +60°C (-4 to +140°F) / 20 to 95%							
Vibration	10 G (20 to 200 Hz)							
Shock resistance	70 G							
Regulatory compliance	UL1492, FCC Class A Digital Device, CE (EN50081-2 + EN50082-2), AS4251.1 + AS4252.2							
Supplied accessories	Lens mount cap (1), Operating instructions (1)							

* (F1.4, AGC ON, without IR cut filter) ** Using Dip switch on the rear panel or Using trigger pulse width

UV model

The XC-EU50/EU50P are compact, light-weight CCD cameras which have near-ultraviolet sensitivity with peak around 365 nm. Utilizing the shorter wavelength range characteristic, these models can capture very detailed images. They are effective in capturing surfaces of various kinds of materials and are also ideal for capturing 3D images of flat objects. With the use of ultraviolet lighting, even details such as small scratches, dust or blemishes, which can be undetected by the human eyes, can be clearly captured by these cameras.

XC-EU50/EU50CE



■ Applicable wavelength range



SPECIFICATIONS

	XC-EU50	XC-EU50CE
Image device	1/2 type IT CCD	
Signal system	EIA	CCIR
Effective picture elements	768 x 494	752 x 582
Cell size	8.4 (H) x 9.8 (V) μm	8.6 (H) x 8.3 (V) μm
Horizontal frequency	15.734 kHz	15.625 kHz
Vertical frequency	59.94 Hz	50 Hz
Lens mount	C mount	
Flange back	17.526 mm	
Sync system	Internal / External (auto)	
External sync system	HD / VD (2 to 5 Vp-p), VS	
External sync frequency	+/- 1%	
Jitter	Less than +/- 50 nsec	
Scanning system	2:1 Interlaced	
Video output	1.0 Vp-p, negative, 75 Ω unbalanced	
Horizontal resolution	570 TV lines	560 TV lines
S/N ratio	60 dB	
Gain	AGC / Manual Selectable	
Gamma	ON / OFF	
Normal shutter	1/100 to 1/10,000 s	1/120 to 1/10,000 s
External trigger shutter	1/4 to 1/10,000 s	1/4 to 1/8,000 s
Power requirements	DC12 V (+9 to 16 V)	
Power consumption	1.6 W	
Dimensions	29 (W) x 29 (H) x 32 (D) mm (1 3/16 x 1 3/16 x 1 5/16 inches)	
Mass	50 g (2 oz)	
Operation temp./mois.	-5 to +45°C (-23 to +113°F) / 20 to 80% (no condensing)	
Storage temp./mois.	-20 to +50°C (-4 to +122°F) / 20 to 95% (no condensing)	
Vibration	10 G (20 to 200 Hz)	
Shock resistance	70 G	
Regulatory compliance	UL1492, FCC Class A Digital Device, CE (EN50081-2 + EN50082-2), EMC (AS35448)	
Supplied accessories	Lens mount cap (1), Operating instructions (1)	

Product information is available on the ISP Home Page

Sony online <http://www.sony.co.jp/ISP/>

Click!

Product Information

Information including product features and catalogs

Document & Software

Product document information and sample software downloads

Product catalog

User's Guide
XC-E series
XC-EU50/EU50CE

Application Guide

Instruction Manual

Command List

Sample software

- Sony Electronics Inc. (USA) HQ
- Sony of Canada Ltd. (CANADA)
- Sony Broadcast & Professional Europe HQ

Germany
France
UK
Nordic
Italy

1 Sony Drive Park Ridge, NJ 07656
115 Gordon Baker Rd, Toronto, Ontario M2H 3R6
Schipholweg 275 1171 PK Badhoevedorp The Netherlands

Hugo-Eckener-Strasse 20 D-50829 Kohn
16-26 rue Morel 92110 Clichy
The Heights, Brooklands, Weybridge, Surrey KT13 0XW
Per Albin Hanssons vag 20 S-214 32 Malmo Sweden
Via Galileo Galilei 40 I-20092 Cinisello Balsamo, Milano

(TEL:+1-800-686-7669)
<http://www.sony.com/videocameras>
(TEL:+1-416-499-1414) (FAX:+1-416-497-1774)
(TEL:+31-20-44-99-351) (FAX:+31-20-44-99-333)
<http://www.sony-vision.com>
(TEL:+49-221-537-8923) (FAX:+49-221-537-491)
(TEL:+33-1-55-90-41-58) (FAX:+33-1-55-90-42-20)
(TEL:+44-990-331122) (FAX:+44-1932-817011)
(TEL:+46-40-190-800) (FAX:+46-40-190-450)
(TEL:+39-02-61-83-84-26) (FAX:+39-02-618-38-402)