

# HF3.5M-2

Image Size :  $\frac{1}{2}$   $\frac{1}{3}$   $\frac{1}{4}$

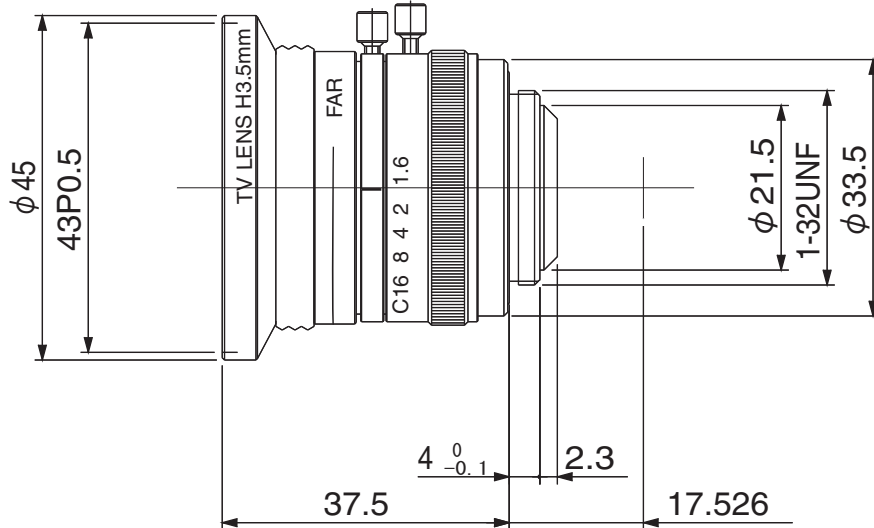
## 【SPECIFICATIONS】

Focal Length :	3.5mm	Operation :	Focus : Manual Iris : Manual
Maximum Relative Aperture :	1:1.6	Operating Temperature :	-10~+50°C
Iris :	F1.6~Close	Mount :	C-Mount
Angle of View :	84.9 × 68.9 deg	Filter Size :	43mm P0.75
Image Size :	6.4 × 4.8mm (φ8mm)	Size :	φ45 × 37.5mm
Minimum Object Distance :	0.1mm (From Front Vertex)	Weight :	Approx. 90g
Optical Back Focal Distance :	11.45mm (In Air)		
Flange Back :	17.526mm		

## 【COMPOSITION】

- Lens . . . . . 1
- Lens Cap . . . . . 1
- Dust Cap . . . . . 1

## 【DIMENSIONS】



Unit:mm