

# HHF6M

**【SPECIFICATIONS】** 1.45Megapixel-Lens

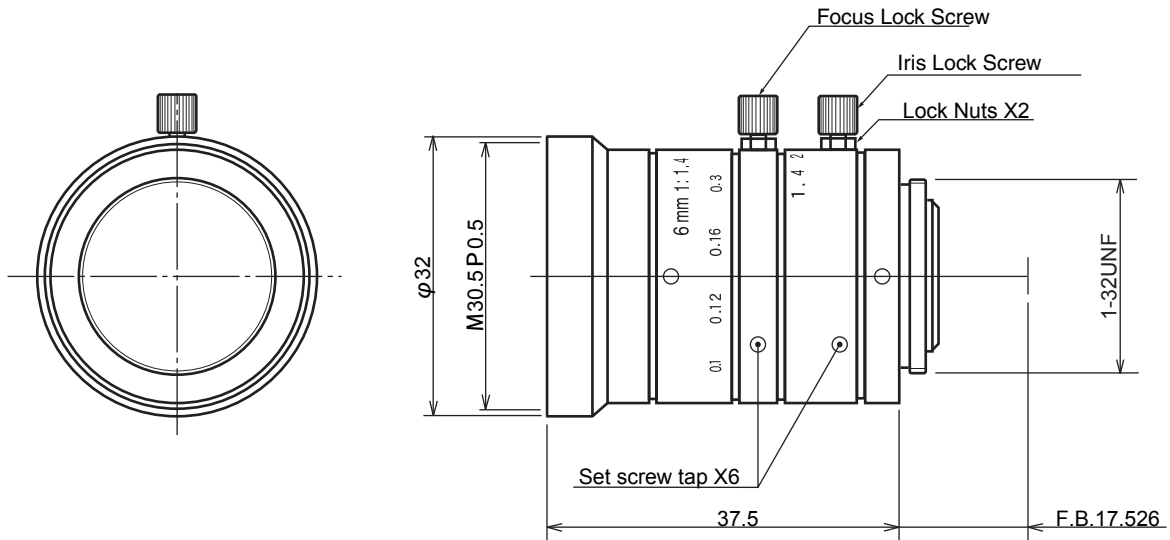
Image Size : (1/2)

|                             |  |                               |                                 |
|-----------------------------|--|-------------------------------|---------------------------------|
| Focal Length :              | 6mm                                    | Optical Back Focal Distance : | 12.32mm (In Air)                |
| Maximum Relative Aperture : | 1:1.4                                  | Flange Back :                 | 17.526mm                        |
| Iris :                      | F1.4~16                                | Operation :                   | Focus : Manual<br>Iris : Manual |
| Angle of View :             | 57.4×44.3 deg                          | Operating Temperature :       | -10~+50°C                       |
| Image Size :                | 6.4×4.8mm (φ8mm)                       | Mount :                       | C-Mount                         |
| Minimum Object Distance :   | 0.25mm (From Front Vertex)             | Filter Size :                 | 30.5mm P0.5                     |
| Resolution :                | 5 μm (at center)<br>6.3 μm (at corner) | Size :                        | φ32×37.5mm                      |
| Distorsion :                | -0.96%                                 | Weight :                      | Approx. 66g                     |

**【COMPOSITION】**

- Lens . . . . . 1
- Lens Cap . . . . . 1
- Dust Cap . . . . . 1

**【DIMENSIONS】**



Unit:mm