

HV880DCIR-MP

【SPECIFICATIONS】 MegaPixel Day&Night Vari-focal lens with Extra-low Dispersion Glass

Image Size : $\frac{1}{2}$ $\frac{1}{3}$ $\frac{1}{4}$

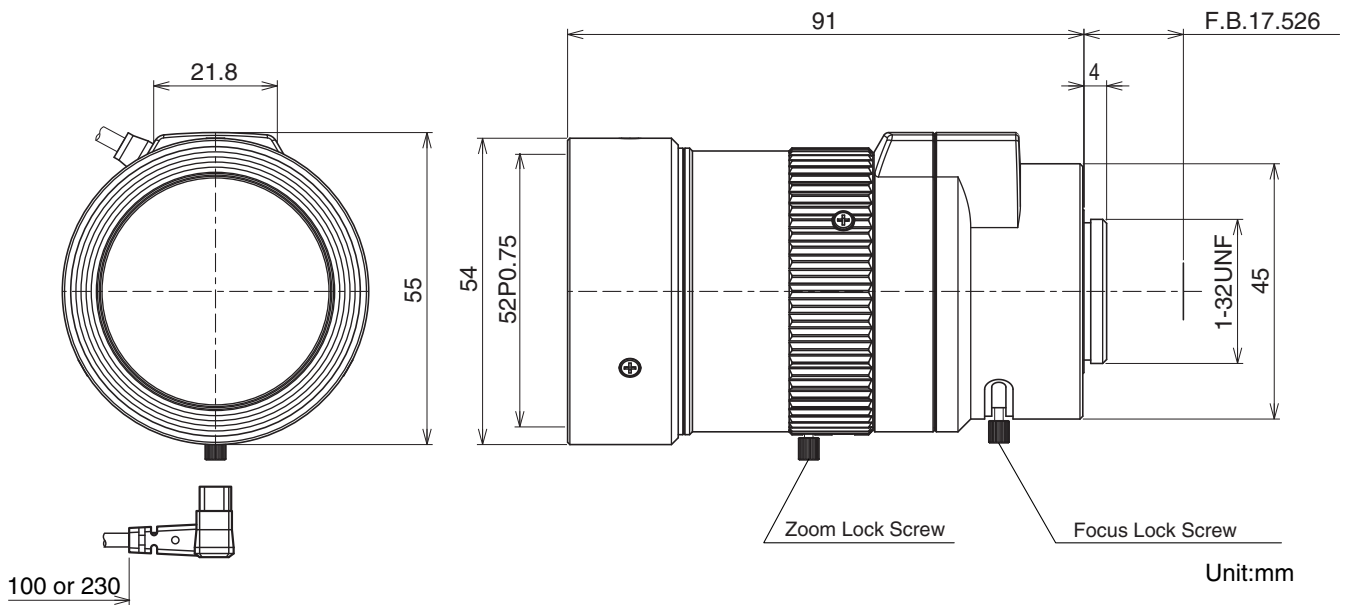
Focal Length : 8 ~ 80mm
 Maximum Relative Aperture : 1:1.6
 Iris : F1.6 ~ Approx.360
 (With ND Spot Filter)
 Zoom Ratio : 10X
 Angle of View : 46.6 × 34.3 deg. at 8mm
 4.7 × 3.6 deg. at 80mm
 Image Size : 6.4 × 4.8mm (8mm)
 Minimum Object Distance : 0.1m at 8mm (From Front Vertex)
 0.7m at 80mm (From Front Vertex)
 Optical Back Focal Distance : 17.07 ~ 21.42mm (In Air)
 Flange Back : 17.526mm

Operation : Focus : Manual
 Zoom : Manual
 Iris : IG(Auto Close System)
 Close to Open : Less than 4V
 Open to Close : More than 0.1V
 Speed Within 4sec.
 Operating Temperature : -10 to +50
 Mount : C-Mount (Adjustable Lens Position)
 Filter Size : 52mm P0.75
 Size : 54 × 91mm
 Weight :

【COMPOSITION】

- Lens 1
- Lens Cap 1
- Dust Cap 1

【DIMENSIONS】



【CIRCUIT DIAGRAM】

