

HZ10250RDC-MP PZF

2 MEGA PIXEL

Image Size: $\frac{1}{1.8}$

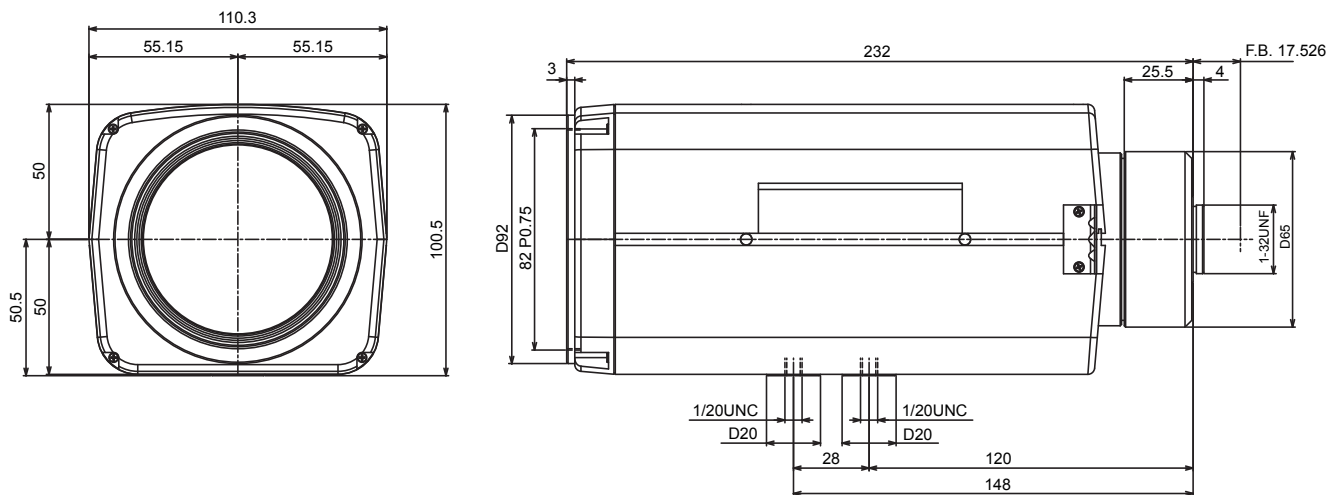
[SPECIFICATIONS]

Focal Length :	10 - 250mm	Flange Back :	17.526mm
Maximum Relative Aperture :	1:1.6	Operation :	Zoom : Motorized (DC+/-6.4V , Max40mA)
Iris :	F1.6 - Approx. 360 (Tele F3.8)	Focus :	Motorized (DC+/-6.4V , Max40mA)
Zoom Ratio :	25X	Iris :	IG(Auto Close System) Close to Open : Less than 4.0V Open to Close : More than 0.1V
Angular Field of View :	39.9 X 30.4 deg. at 10mm 1.6 X 1.2 deg. at 250mm	Operation Temperature :	-10 to +50°C
Image Fomat :	7.2 X 5.4mm (D9mm)	Mount :	C-Mount (Adjustable Lens Position)
Minimum Object Distance :	2.5m (From Front Vertex)	Front Thread :	82mm P0.75
Optical Back Focal Distance :	17.01mm (In Air)	Size, Weight :	110.3 X 100.5 X 232mm, Approx. 3.0kg

[COMPOSITION]

- Lens1
- 4-Conductor Connector(Female)1
(Any 4-conductor cable of external dia 6mm to be prepared separately.)
- Lens Cap1
- Dust Cap1

[DIMENSIONS]



Unit : mm

[CIRCUIT DIAGRAM]

