

HZ20700RDC IR-MP PZF

[SPECIFICATIONS]

Image Size: $\frac{1}{2}$

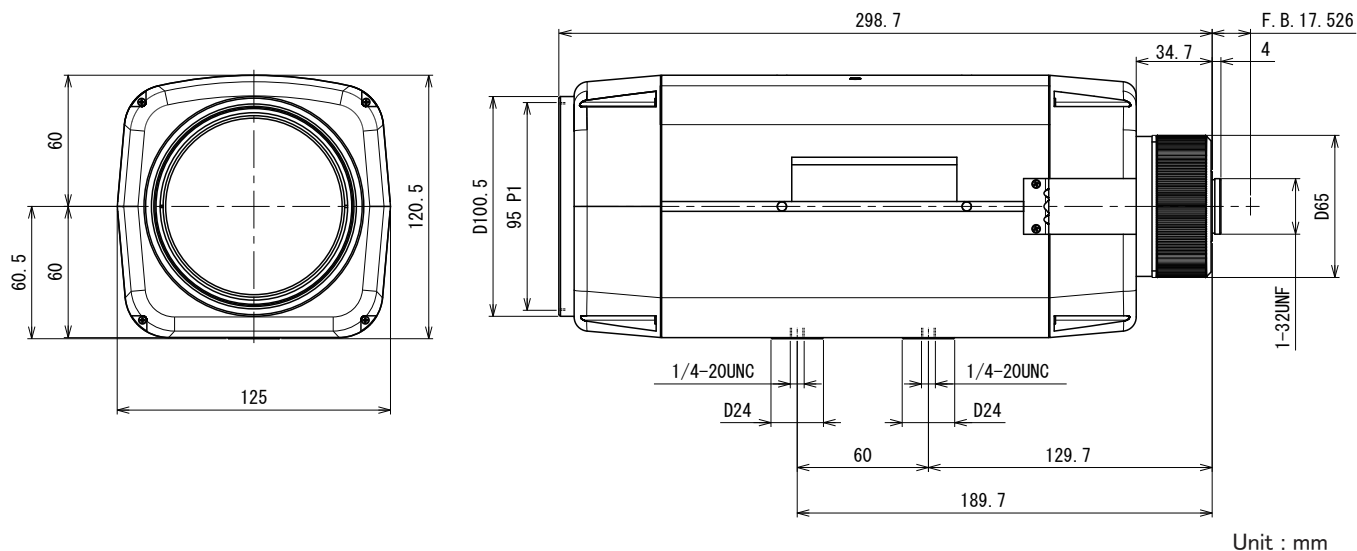
Focal Length :	20- 700mm	Flange Back :	17.526mm
Maximum Relative Aperture :	1:3.2	Operation :	Zoom : Motorized (DC+/-6.4V , Max70mA at 25°C)
Iris :	F3.2 – Approx. 360 (Tele F9)	Focus :	Motorized (DC+/-6.4V , Max70mA at 25°C)
Zoom Ratio :	35X	Iris :	IG(Auto Close System) Close to Open : Less than 4.0V Open to Close : More than 0.1V
Angular Field of View :	17.8 X 13.4 deg. at 20mm 0.5 X 0.4 deg. at 700mm	Operation Temperature :	-10 to +50°C
Image Fomat :	6.4 X 4.8mm (D8mm)	Mount :	C-Mount (Adjustable Lens Position)
Minimum Object Distance :	4m (From Front Vertex)	Front Thread :	95mm P1
Object Dimensions at M.O.D. :	125.4 X 93.8cm at 20mm 3.8 X 2.8cm at 700mm	Size, Weight :	120 X 120.5 X 298.7mm, Approx. 3.5kg
Optical Back Focal Distance :	14.93mm (In Air)		

[COMPOSITION]

- Lens1
- Lens Cap1
- Dust Cap1

4-Conductor Connector(Female)1
(Any 4-conductor cable of external dia 6mm to be prepared separately.)

[DIMENSIONS]



[CIRCUIT DIAGRAM]

