

# HZ848M

**【SPECIFICATIONS】** F1.0 Manual Zoom Lens

Image Size:  $\frac{1}{2}$   $\frac{1}{3}$

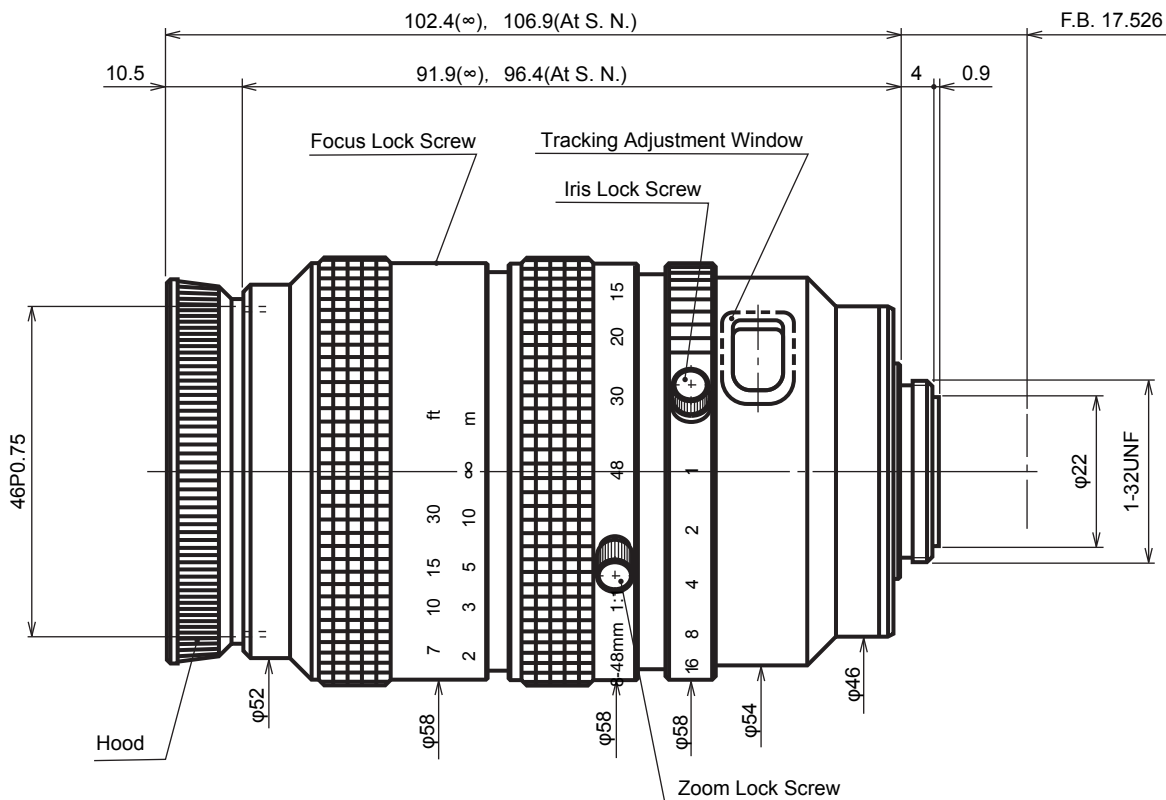
Focal Length : 8~48mm  
 Maximum Relative Aperture : 1:1.0  
 Iris : F1.0~Close  
 Zoom Ratio : 6X  
 Angle of View : 43.6×33.4 deg. at 8mm  
 7.7×5.7 deg. at 48mm  
 Image Size : 6.4×4.8mm (φ8mm)  
 Minimum Object Distance : 1.0m (From Front Vertex)  
 Close-up photography as far as Object Distance 0.5m is possible by S.N.(Service Near)function of Focus. (Partial eclipse may occur during zooming in the S.N. range with using 1/2" camera.)

Optical Back Focal Distance : 14.56mm(In Air)  
 Flange Back : 17.526mm  
 Operation : Focus : Manual  
 Zoom : Manual  
 Iris : Manual  
 Operating Temperature : -10~+50°C  
 Mount : C-Mount  
 Filter Size : 46mm P0.75  
 Size : φ58×102.4mm  
 Weight : Approx.395 g

**【COMPOSITION】**

- Lens . . . . . 1
- Lens Cap . . . . . 1
- Dust Cap . . . . . 1

**【DIMENSIONS】**



Unit:mm