

HZ9144RDC IR-MP

[SPECIFICATIONS] 16X motorized zoom lens for Full HD Day&Night Camera

Image Size: $\frac{1}{1.8}$ $\frac{1}{2}$ $\frac{1}{3}$

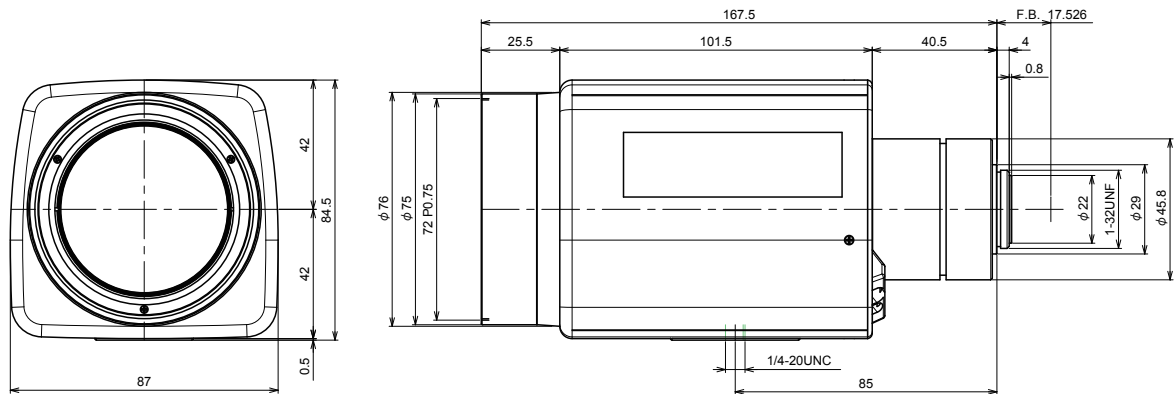
Focal Length:	9~144mm
Maximum Relative Aperture:	1:1.6 (Tele End 1:2.9)
Iris:	F1.6~Approx.360
Zoom Ratio:	16X
Anglar Field of View:	
[1/1.8"]	43.2×32.9 deg. at 9mm 2.9× 2.2 deg. at 144mm
[1/2"]	38.7×29.3 deg. at 9mm 2.6× 2.0 deg. at 144mm
[1/3"]	29.3×22.1 deg. at 9mm 2.0× 1.5 deg. at 144mm
Image Format:	7.2×5.4mm (φ9mm)
Minumum Object Distance:	2.5m (From Front Vertex)

Optical Back Focal Distance:	13.5mm (In Air)
Flange Back:	17.526mm
Operation:	Zoom: Motorized (DC±6.4V, Max45mA)
	Focus: Motorized (DC±6.4V, Max45mA)
Iris:	IG(Auto Close System) Close to Open : More than 3.0V Open to Close : Less than 0.5V
Operating Temperature:	-10~+50°C
Mount:	C-Mount (Adjustable Lens Position)
Filter Size:	72mm P0.75
Size:	84.5×87×167.5mm
Weight:	Approx. 1200g

[COMPOSITION]

- Lens.....1
- Lens Cap.....1
- Dust Cap.....1
- 4-Conductor Connector(Female).....1
(Any 4-conductor cable of external dia 6mm to be prepared separately)

[DIMENSIONS]



Unit:mm

[CIRCUIT DIAGRAM]

