

# JHF35M

Image Size :  $\frac{2}{3}$

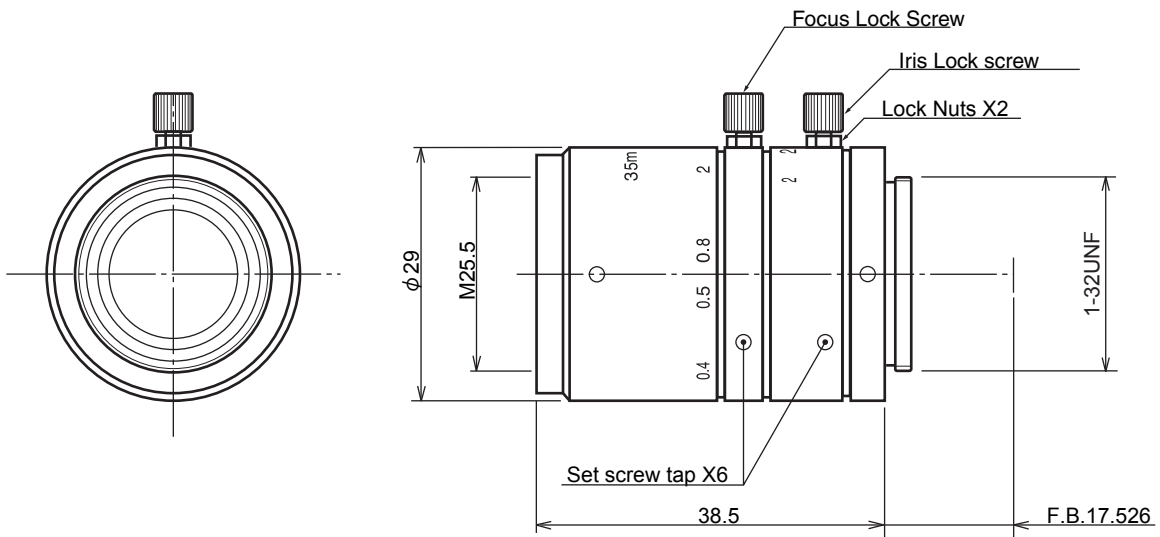
**【SPECIFICATIONS】** 3Megapixel-Lens

Focal Length :	35mm	Optical Back Focal Distance :	18.06mm (In Air)
Maximum Relative Aperture :	1:2.0	Flange Back :	17.526mm
Iris :	F2.0~22	Operation :	Focus : Manual Iris : Manual
Angle of View :	14.3×10.5 deg	Operating Temperature :	-10~+50°C
Image Size :	8.8×6.6mm ( $\phi$ 11mm)	Mount :	C-Mount
Minimum Object Distance :	0.25mm (From Front Vertex)	Filter Size :	25.5mm P0.5
Resolution :	3.6 $\mu$ m (at center) 5 $\mu$ m (at corner)	Size :	$\phi$ 29×38.5mm
Distorsion :	-0.02%	Weight :	Approx. 55g

**【COMPOSITION】**

- Lens . . . . . 1
- Lens Cap . . . . . 1
- Dust Cap . . . . . 1

**【DIMENSIONS】**



Unit:mm