

JHF50M

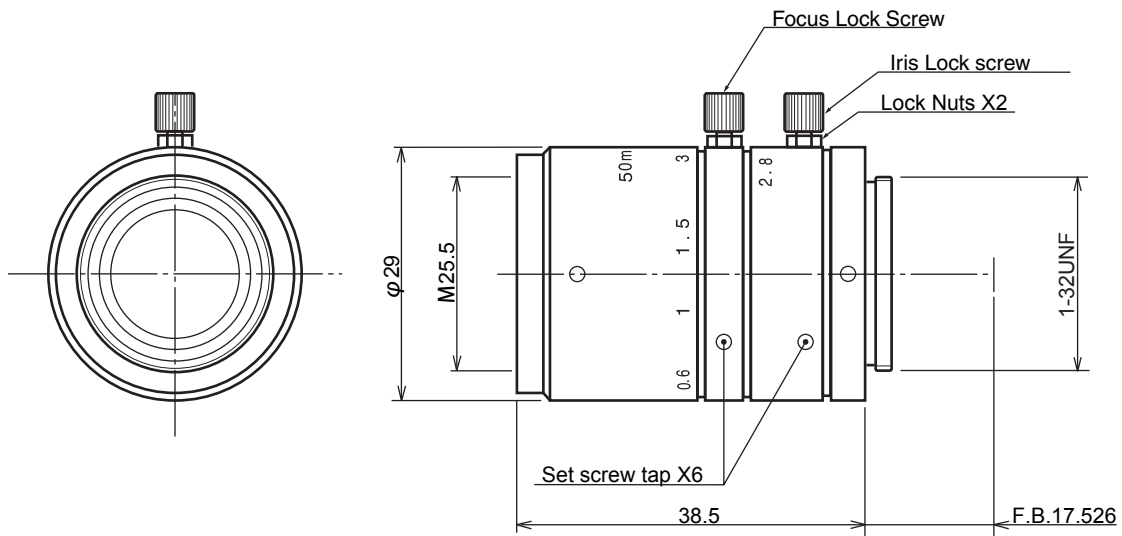
【SPECIFICATIONS】 3Megapixel-Lens

Focal Length :	50mm	Optical Back Focal Distance :	21.2mm (In Air)
Maximum Relative Aperture :	1:2.8	Flange Back :	17.526mm
Iris :	F2.8~22	Operation :	Focus : Manual Iris : Manual
Angle of View :	10.0×7.5 deg	Operating Temperature :	-10~+50°C
Image Size :	8.8×6.6mm (φ11mm)	Mount :	C-Mount
Minimum Object Distance :	0.5m (From Front Vertex)	Filter Size :	25.5mm P0.5
Resolution :	3.6 μm (at center) 5 μm (at corner)	Size :	φ29×38.5mm
Distorsion :	-0.2%	Weight :	Approx. 55g

【COMPOSITION】

- Lens 1
- Lens Cap 1
- Dust Cap 1

【DIMENSIONS】



Unit:mm