

# T5-0814

**【SPECIFICATIONS】** 5Megapixel-Lens

Image Size: 2/3

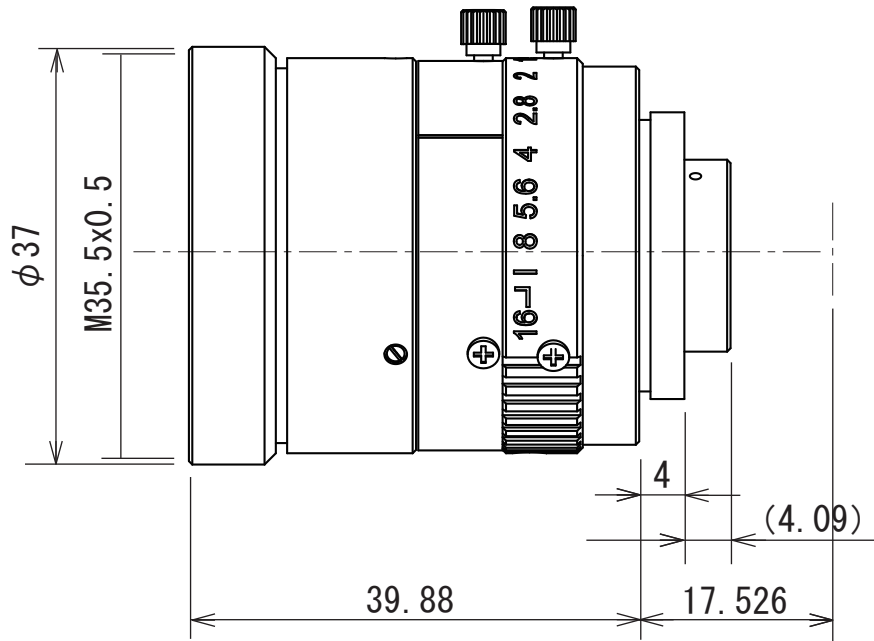
Focal Length : 8mm  
 Maximun Relative Aperture : 1:1.4  
 Iris : F1.4~16  
 Angle of View : 55.2×42.9°  
 Image Size : 8.8×6.6mm (φ11mm)  
 Minimum Object Distance : 0.1m (From Front Vertex)  
 Resolution : 3.45μm  
 TV Distortion : -0.17%  
 Optical Back Focal Distance : 12.6mm

Frang Back : 17.526mm  
 Operation : Focus : Manual  
 Iris : Manual  
 Operating Temperature : -10~+50°C  
 Mount : C-Mount  
 Filter Size : M35.5 P=0.5  
 Size : φ37×39.88mm  
 Weight : Approx.200g

**【COMPOSITION】**

- Lens . . . . . 1
- Lens Cap . . . . . 1
- Dust Cap . . . . . 1

**【DIMENSIONS】**



Unit:mm