

# T5-1618

**【SPECIFICATIONS】** 5Megapixel-Lens

Image Size: 2/3

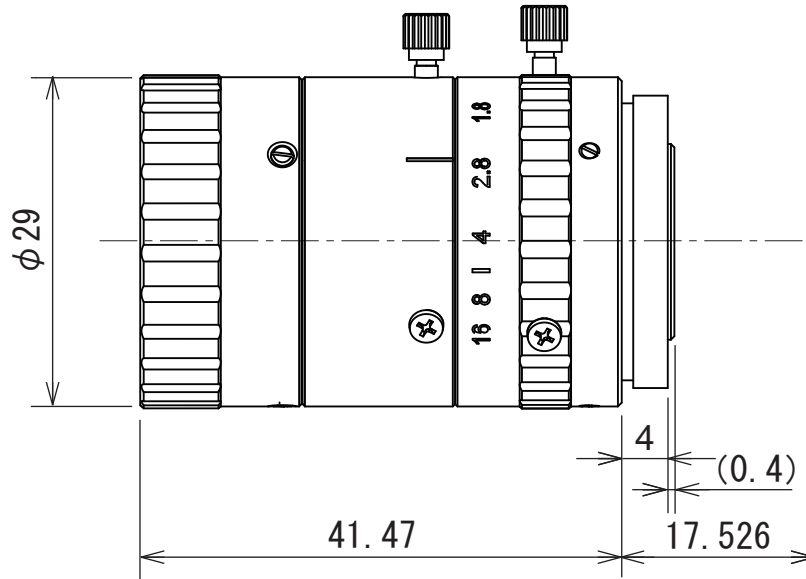
Focal Length : 16mm  
 Maximum Relative Aperture : 1:1.8  
 Iris : F1.8~16  
 Angle of View : 29.8×22.5°  
 Image Size : 8.8×6.6mm (φ11mm)  
 Minimum Object Distance : 0.1m (From Front Vertex)  
 Resolution : 3.45μm  
 TV Distortion : -0.12%  
 Optical Back Focal Distance : 13.5mm

Frang Back : 17.526mm  
 Operation : Focus : Manual  
 Iris : Manual  
 Operating Temperature : -10~+50°C  
 Mount : C-Mount  
 Filter Size : M27 P=0.5  
 Size : φ29×41.47mm  
 Weight : Approx.75g

**【COMPOSITION】**

- Lens . . . . . 1
- Lens Cap . . . . . 1
- Dust Cap . . . . . 1

**【DIMENSIONS】**



Unit:mm