

TAV850DCIR-MP

【SPECIFICATIONS】 F1.6 Aspherical + Day&Night IR Lens

Image Size: $\text{\textcircled{1/2.7}}$ $\text{\textcircled{1/3}}$ $\text{\textcircled{1/4}}$

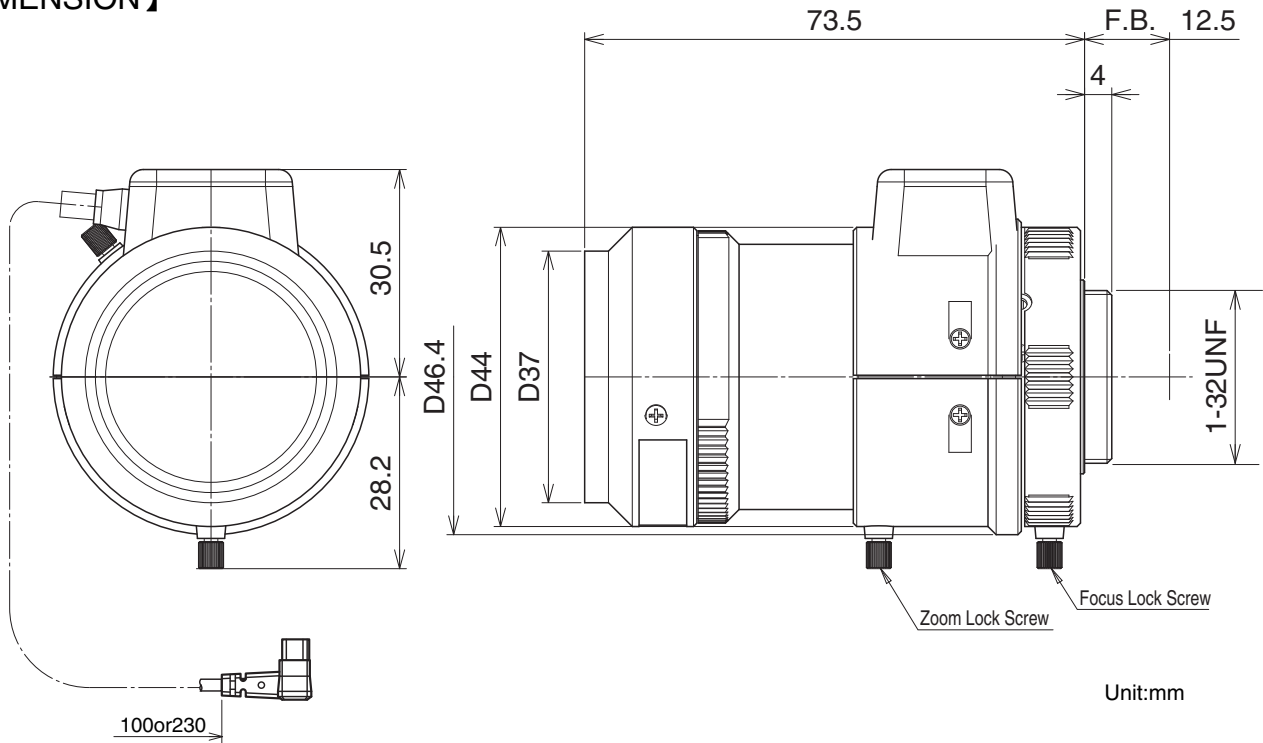
Focal Length : 8 - 50mm
 Maximum Relative Aperture : 1:1.6
 Iris : F1.6 - 360
 (With ND Spot Filter)
 Zoom Ratio : 6.25x
 Angular Field of View : 38.7 x 28.6 deg. at 8mm
 6.4 x 4.8 deg. at 50mm
 Image Format : 5.4 x 4.0mm (D6.7mm)
 Optical Back Focal Distance : More than 10.3mm (In Air)
 Flange Back : 12.5mm

Operation : Focus : Manual
 Zoom : Manual
 Iris : IG(Auto Close System)
 Close Open : Less than 3.0V
 Open Close : More than 0.5V
 Operation Temperature : -10 to +50
 Mount: CS-Mount (Adjustable Lens Position)
 Size : D41.3 x 46.2 x 59.4mm
 Weight : Approx.101g

【COMPOSITION】

- Lens 1
- Lens Cap 1
- Dust Cap 1

【DIMENSION】



【CIRCUIT DIAGRAM】

