

# TAV850P IR-MP

[SPECIFICATIONS]

## F1.6 Aspherical + Day&Night IR Lens

Image Size:  $\text{\textcircled{1/2.7}}$   $\text{\textcircled{1/3}}$   $\text{\textcircled{1/4}}$

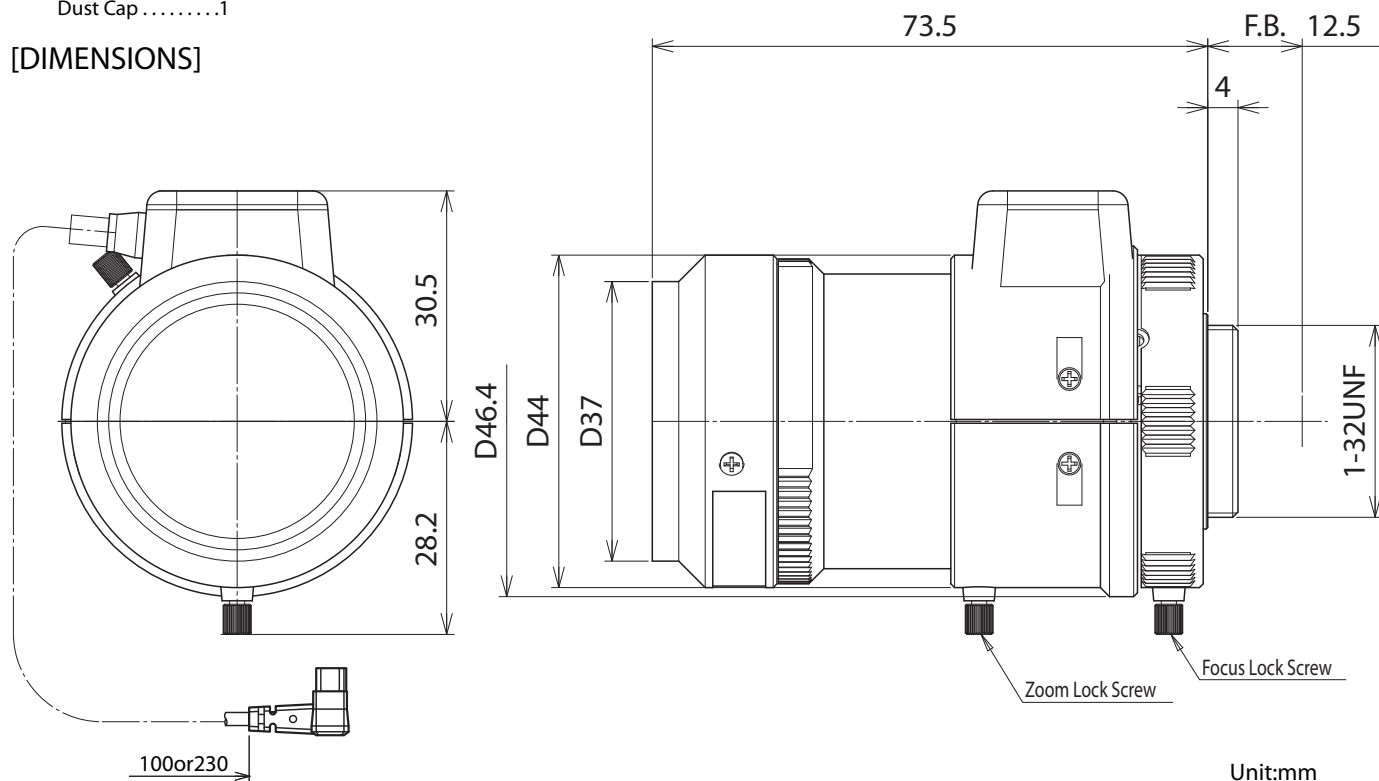
|                               |   |
|-------------------------------|---|
| Focal Length :                | 8 - 50mm  |
| Maximum Relative Aperture :   | 1:1.6   |
| Iris :                        | F1.6 - 360<br>(With ND Spot Filter)             |
| Zoom Ration :                 | 6.25 x  |
| Angular Field of View :       | 38.7 x 28.6 deg.at 8mm<br>6.4 x 4.8 deg.at 50mm |
| Image Format :                | 5.4 x 4.0mm (D6.7mm)                            |
| Minimum Object Distance :     | 0.3m at 8mm<br>0.9m at 50mm (From Front Vertex) |
| Optical Back Focal Distance : | More than 10.3mm (In Air)                       |

|                         |  |
|-------------------------|--|
| Flange Back :           | 12.5mm   |
| Operation :             | Focus : Manual<br>Zoom : Manual<br>Iris : IG (Auto Close System) |
| Operation Voltage :     | Close to Open : Less than 3V<br>Open to Close : More than 0.5V   |
| Operation Temperature : | -10 to +50C  |
| Mount :                 | CS-Mount (Adjustable Lens Position)                              |
| Size, Weight :          | D41.3 x 46.2 x 59.4mm, Approx. 70g                               |

[COMPOSITION]

- Lens .....1
- Lens Cap.....1
- Dust Cap.....1

[DIMENSIONS]



[CIRCUIT DIAGRAM]

| PN NO. | lead wres color | STEP<br>PHASE | CLOSE → |   | ← OPEN |   |
|--------|-----------------|---------------|---------|---|--------|---|
|        |                 |               | 1       | 2 | 3      | 4 |
| 1      | BLK             | B             | H       | H | L      | L |
| 2      | WHT             | A             | H       | L | L      | H |
| 3      | RED             | $\bar{A}$     | L       | H | H      | L |
| 4      | GRN             | $\bar{B}$     | L       | L | H      | H |

Do not connect to camrea which does not have P-Iris support. It will cause failure.  
It is not compatible to connect to DC or Video Iris camera.