

# TEZ6565RDC

Image Size:  $\frac{1}{3}$   $\frac{1}{4}$

**[SPECIFICATIONS]**

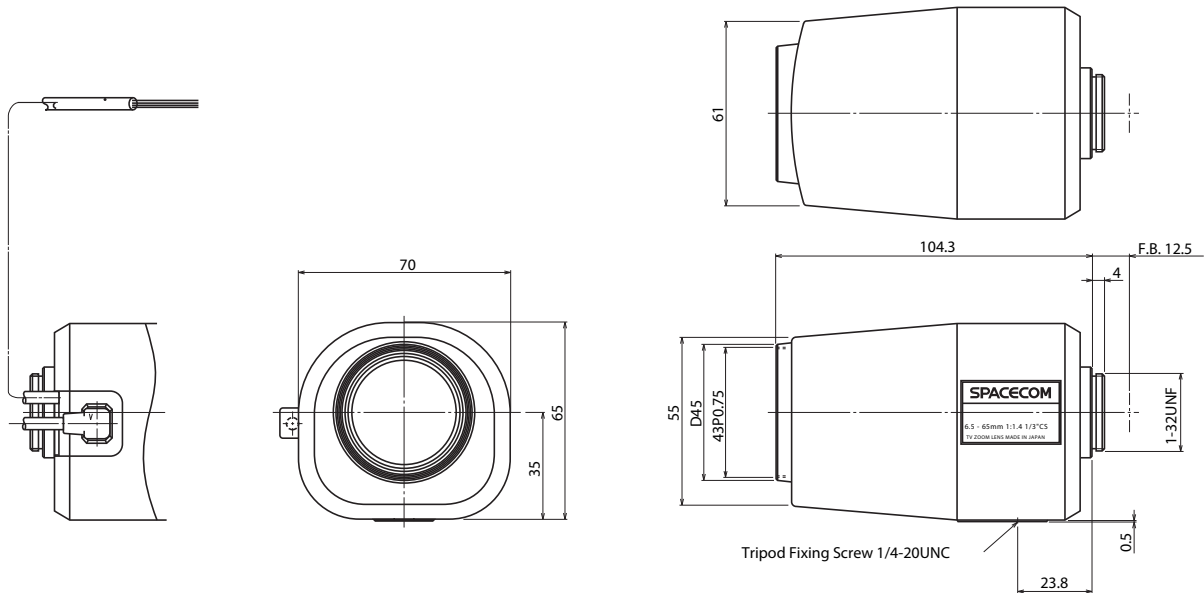
Focal Length : 6.5 - 65mm  
 Maximum Relative Aperture : 1:1.4  
 Iris : F1.4 - Approx. 360  
 (With ND Spot Filter)  
 Zoom Ratio : 10X  
 Angular Field of View : 40.5 X31.0 deg. at 6.5mm  
 4.2 X 3.2 deg. at 65mm  
 Image Format : 4.8X3.6mm(D6mm)  
 Minimum Object Distance : 1.2m(From Front Vertex)  
 Object Dimensions at M.O.D. : 84.2X63.3cm at 6.5mm  
 8.4X 6.4cm at 65mm  
 Optical Back Focal Distance : 9.85mm(In Air)

Flange Back : 12.5mm  
 Operation : Zoom : Motorized(DC+/-6.4V, Max40mA)  
 Speed Approx. 6.5sec.  
 Focus : Motorized(DC+/-6.4V, Max40mA)  
 Speed Approx. 6.5sec.  
 Iris : IG(Auto Close System)  
 Close to Open : Less than 4.0V  
 Open to Close : More than 0.1V  
 Speed Within 4sec.  
 Operation Temperature : -10 to +50  
 Mount : CS-Mount(Adjustable Lens Position)  
 Front Thread : 43mm P0.75  
 Size, Weight : 70X65X104.3mm, Approx. 285g

**[COMPOSITION]**

- Lens .....1
- Lens Cap .....1
- Dust Cap .....1

**[DIMENSIONS]**



Unit:mm

**[CIRCUIT DIAGRAM]**

