

# TZ660R

Image Size:  $\frac{1}{3}$

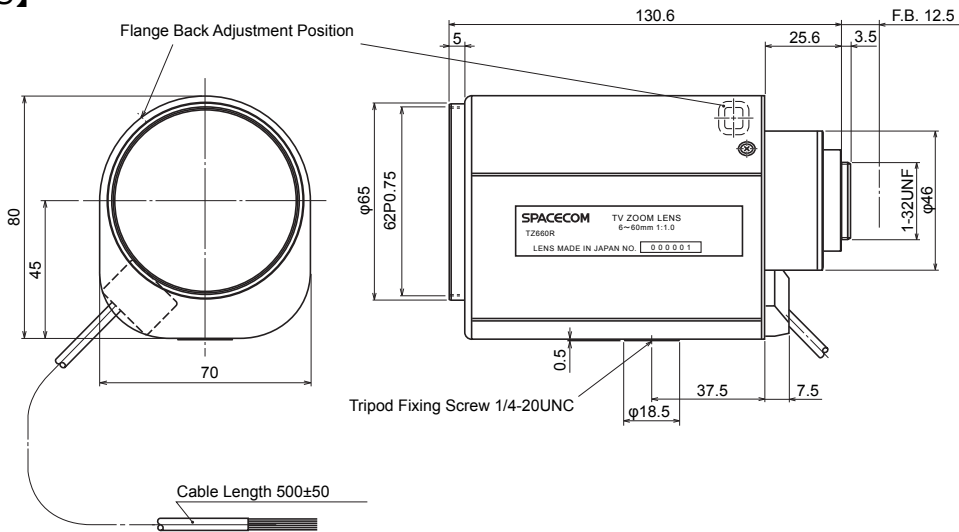
## 【SPECIFICATIONS】

Focal Length :	6~60mm	Operation :	Zoom :	Motorized(DC±6.4V, Max40mA) Speed Approx.6sec.
Maximum Relative Aperture :	1:1.0		Focus :	Motorized(DC±6.4V, Max40mA) Speed Approx.7sec.
Iris :	F1.0~Close		Iris :	Motorized(DC±6.4V, Max40mA) Speed Approx.3.5sec.
Zoom Ratio :	10X	Operation Temperature :	-10~+50°C	
Angle of View :	43.6×33.4 deg. at 6mm 4.6× 3.4 deg. at 60mm	Mount :	CS-Mount(Adjustable Lens Position)	
Image Size :	4.8×3.6mm (φ6mm)	Filter Size :	62mm P0.75	
Minimum Object Distance :	1.2m (From Front Vertex)	Size :	80×70×130.6mm	
Optical Back Focal Distance :	14.28mm (In Air)	Weight :	Approx.700 g	
Flange Back :	12.5mm			

## 【COMPOSITION】

- Lens . . . . . 1
- Lens Cap . . . . . 1
- Dust Cap . . . . . 1

## 【DIMENSIONS】



Unit:mm

## 【CIRCUIT DIAGRAM】

