

# VZ2465R IR PZFI SN

[SPECIFICATION]

Image Size: 1

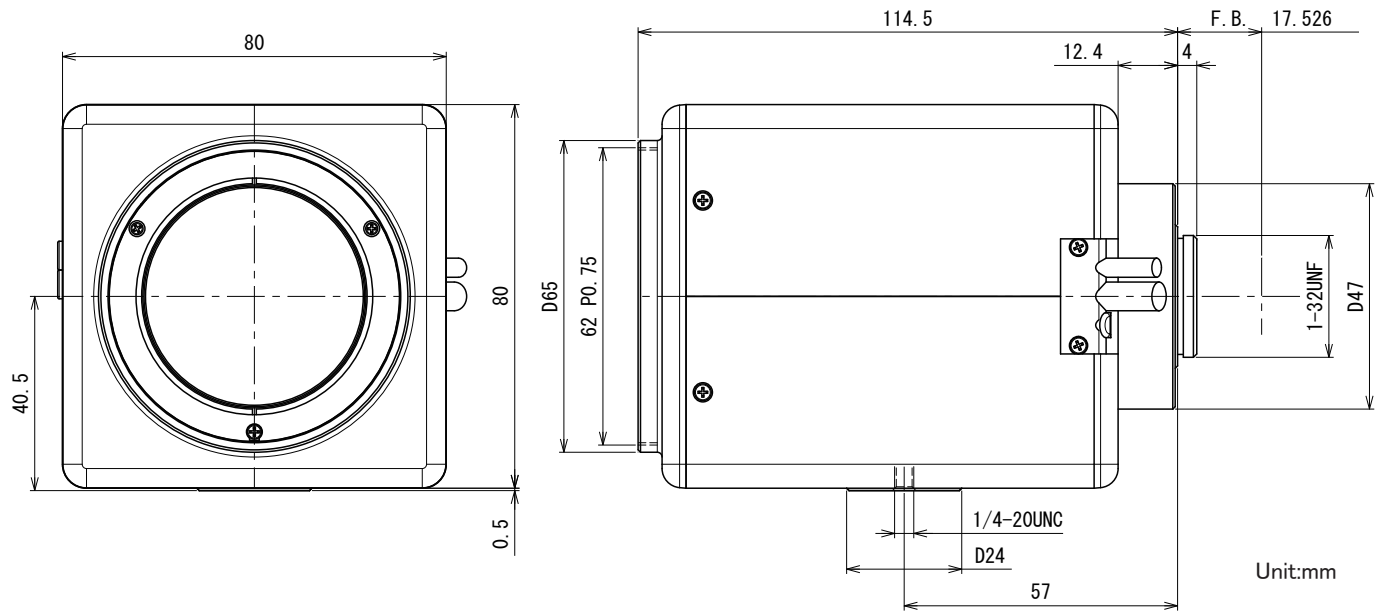
Focal length: 24~65mm  
 Maximum Relative Aperture : 1:2.0  
 Iris : F2.0~Close (No F drop)  
 Zoom Ratio : 2.7X  
 Angular Field of View : 30.5 X 22.9 deg. at 24mm  
 11.2 X 8.4 deg. at 65mm  
 Image Format: 12.8 X 9.6mm (D16mm)  
 Minimum Object Distance : 2.2m (From Front Vertex)  
 Object Dimensions at M.O.D. : 115.9 X 86.2cm at 24mm  
 41.7 X 31.4cm at 65mm  
 Optical Back Focal Distance : 23.29mm (In Air)

Flange Back : 17.526mm  
 Operation : Zoom : Motorized (DC+/-6.4V , Max40mA)  
 Focus : Motorized (DC+/-6.4V , Max40mA)  
 Iris : Motorized (DC+/-6.4V , Max40mA)  
 Operation Temperature : -10 to +50 C  
 Mount : C-Mount (Adjustable Lens Position)  
 Front Thread : 62mm P0.75  
 Size, Weight : 80 X 80.5 X 114.5mm, Approx. 710g

[COMPOSITION]

- Lens .....1
- Lens Cap .....1
- Dust Cap .....1
- 4-Conductor Connector(Female) .....1  
(Any 4-conductor cable of external dia 6mm to be prepared separately.)

[DIMENSIONS]



[CIRCUIT DIAGRAM]

